

EMPIRE

COMFORT SYSTEMS

SINCE 1932

Installation and Operation Instructions

Bifold Glass Door models:

BVX2BL-1 (For use with (A)BVD34FP Fireplace model series)

BVX36BL-1 (For use with (A)BVD36FP Fireplace model series)

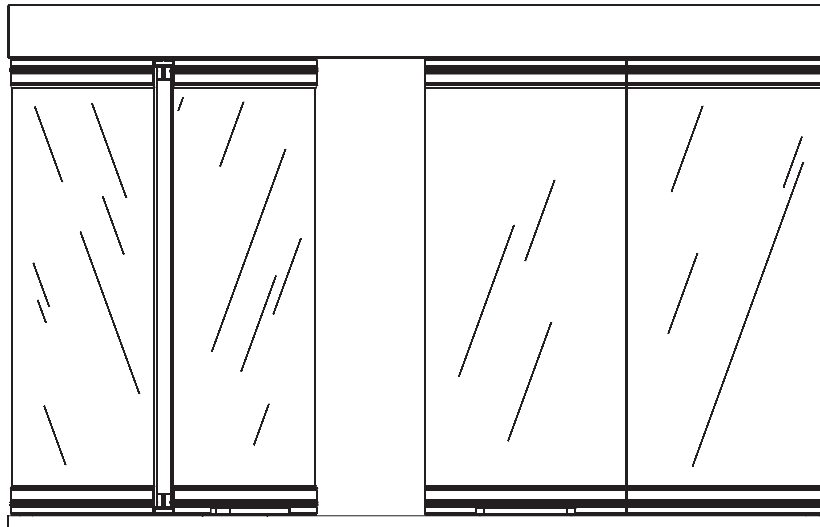
BVX3BL-1 (For use with (A)BVP42FP Fireplace model series)

GAS-FIRED



LISTED

UL FILE NO. MH45034



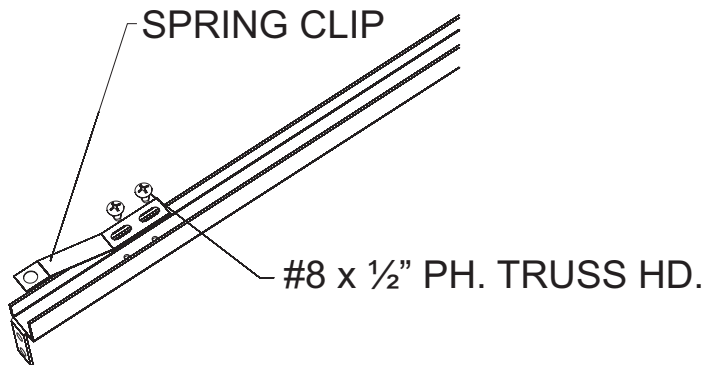
IMPORTANT: Please read these instructions carefully before starting the installation. Failure to follow these installation instructions may result in a possible fire hazard and will void the warranty. These instructions must be left with the appliance for future reference.

IMPORTANT NOTICES

1. Be sure these instructions become the property of, and are reviewed by, all future users of the fireplace to encourage proper installation and operation of the glass doors.
2. Read these instructions entirely before beginning the installation. Save the instructions for future reference.
3. All parts used with the fireplace system must be installed in accordance with these installation instructions. Failure to do so may be hazardous and will void the warranty.
4. Check to make sure all parts are included prior to assembly. See parts list on page 4 for reference.
5. Tools needed for installation includes standard and Phillips screwdrivers, and a 5/16" nut-driver.
6. Caution: sharp edges. Wear gloves and safety glasses when installing the glass door components.
7. Decorative non-combustible trim or finishing materials must not extend beyond the firebox side openings. Any materials that extend past the firebox side opening will interfere with the operation of the glass doors.
8. Bifold doors must be in the fully open position when operating the fireplace.

INSTALLATION

1. Pre-install the two glass door spring clips at each end of the top door track as shown in Figure 1. Use four #8 x 1/2" Ph Hd screws to attach the clips, but do not fully tighten.



Note: Door track illustrated upside down for clarity.

Figure 1

2. Install the Upper Door Track to the fireplace as shown in Figure 2 using two #8 x 1/2" Ph Truss Hd screws at each end. Match up the holes in the track end tabs with the pilot holes in the sides of the fireplace. See Figure 2.

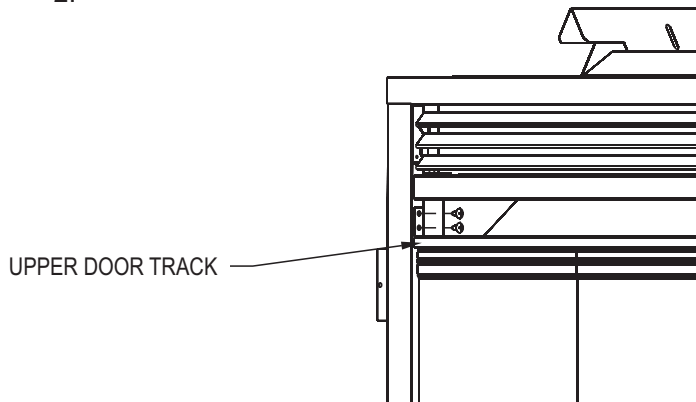


Figure 2

3. Install the Canopy by first removing the upper louver assembly (if applicable). Flush face fireplace models will have a 3/8" high opening just above the firebox that will accept the canopy's rear tabbed flange. With the canopy tilted slightly upward, insert the canopy so that the rear locator tabs lock into the slots located in the firebox top. Rotate the canopy downward and install one #10 x 1/2" Hex Hd screw at the center of the canopy. This screw will be installed from inside the firebox. The location is midway between the two firescreen rods at the center of the fireplace. Secure the canopy with this screw, but do not overtighten. See figure 3.

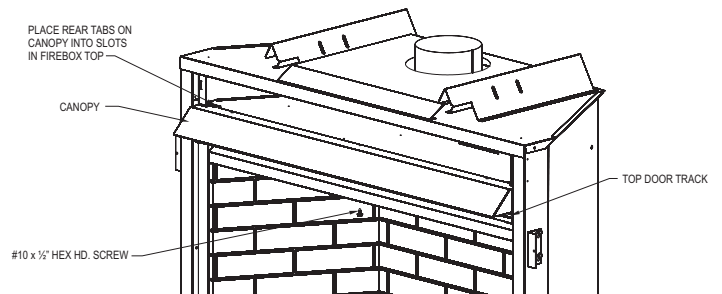


Figure 3

4. Install the decorative handles to the Right and Left Bifold Glass door assemblies as shown by the exploded parts view, Figure 8. To install the door handles, insert four #8 x 7/8" screws from the rear of the door trim and secure into the handles. Do not overtighten.

INSTALLATION

5. Install the Right Bifold Door assembly as shown in Figure 4. With the door folded up, insert the bottom door pivot pin into the receiving hole located in the firebox bottom return flange. Swing the top of the door assembly outward and engage the top pivot pin into the hole located in the spring clip. Adjust the spring clip left or right with the door in the open position, then snug the spring clip screws as necessary to check door alignment with the upper track. The gap above the door should be equal across the top for proper door operation. Once adjusted as desired, gently open doors, then tighten screws to secure spring clips.

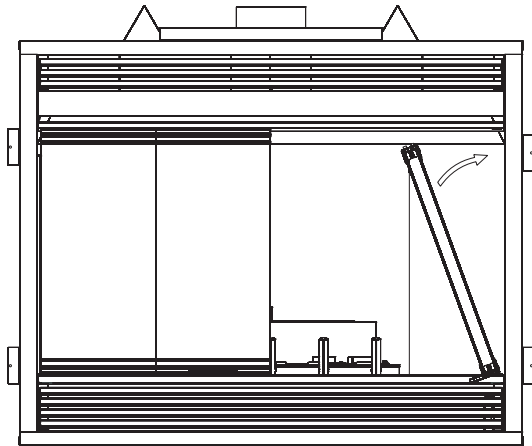


Figure 4

6. Repeat step 5 to install the Left hand Bifold Door assembly. Make adjustments as necessary on the bifold doors to achieve the best alignment and operation. Figure 5 shows the completed installation of the bifold doors and canopy.

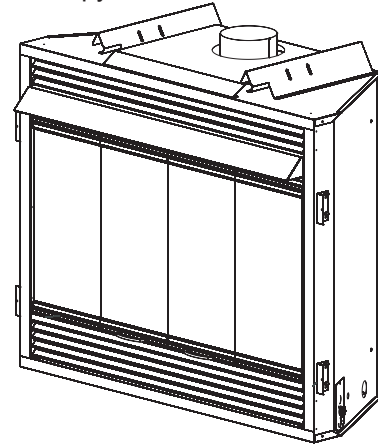


Figure 5

DOOR OPERATION

OPERATE THE FIREPLACE WITH THE BIFOLD GLASS DOORS IN ONLY THE FULLY OPEN POSITION.

NOTE: Always close the mesh firescreens when operating the fireplace with the glass doors open.

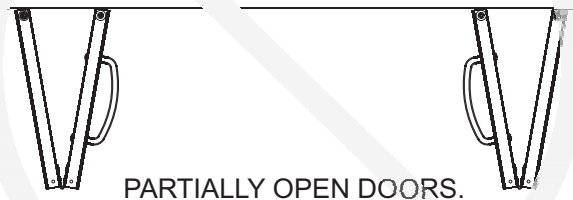
CORRECT DOOR POSITION WHEN
OPERATING THE FIREPLACE



FULLY OPEN DOORS

Figure 6

INCORRECT DOOR POSITION WHEN
OPERATING THE FIREPLACE



PARTIALLY OPEN DOORS.

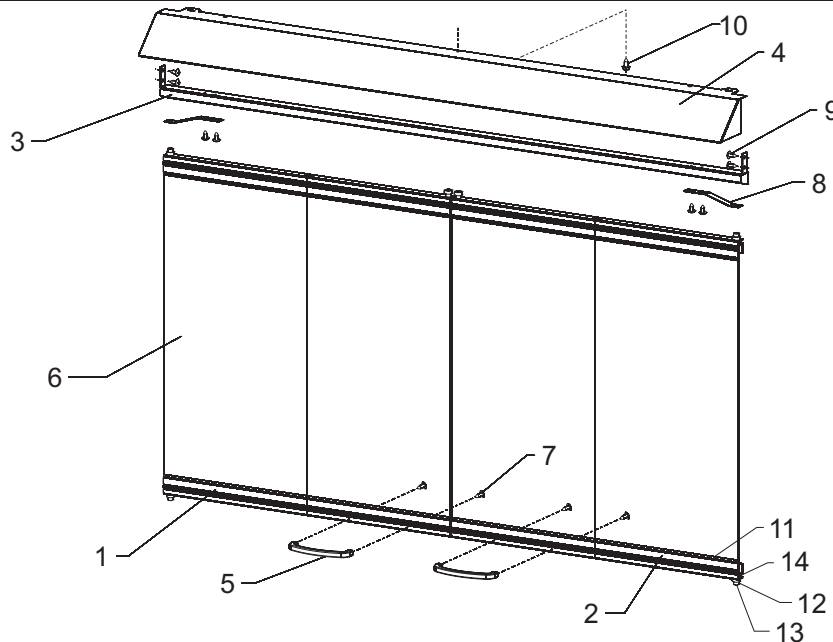
WARNING: DO NOT operate the fireplace with the doors partially open or closed. Operating the fireplace with the doors partially open or closed creates a hazardous situation.

Figure 7

MAINTENANCE

- Do not use abrasive cleaners on the glass, trim, or canopy components. Abrasive cleaners will harm the finish and could weaken the tempering qualities of the glass.
- When cleaning is necessary, use only a soft cloth, mild soap and water. Painted surfaces should only be cleaned with a soft, damp cloth. Always let the glass doors completely cool prior to cleaning.
- Repair or replacement parts are available through your dealer. Refer to the exploded parts illustration for identification.

EXPLODED VIEW AND PARTS LIST



Index No.	Part No.			Description	QTY
	BVX2BL	BVX36BL	BVX3BL		
1	19485	19497	19502	Bifold Door Ass'y, Left	1
2	19484	19496	19501	Bifold Door Ass'y, Right	1
3	19483	19495	19500	Door Track	1
4	19842	19494	19499	Canopy	1
5	R7882	R7882	R7882	Handle	2
6	R8112	R8113	R8114	Glass Panel	4
7	R8197	R8197	R8197	Screw #8-32x7/8"	4
8	R8119	R8119	R8119	Clip, Door Spring	2
9	R3580	R3580	R3580	Screw #8-18x1/2"	8
10	R2737	R2737	R2737	Screw #10x1/2"	1
11	R8126	R8126	R8126	Clip, Glass Retainer	16
12	R8118	R8118	R8118	Door Pin	6
13	R8161	R8161	R8161	Screw	6
14	R8162	R8162	R8162	Nut	6

Figure 8



Empire Comfort Systems Inc.
918 Freeburg Ave. Belleville, IL 62220

If you have a general question about our products, please e-mail us at info@empirecomfort.com.

If you have a service or repair question, please contact your dealer.