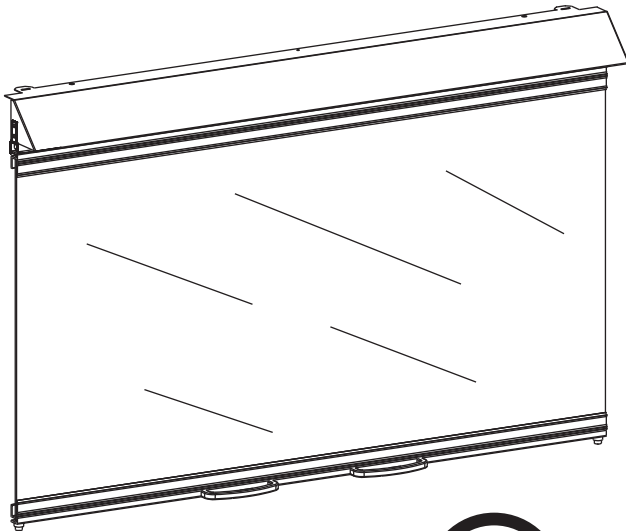




INSTALLATION AND OPERATING INSTRUCTIONS



BVC SERIES CLEARSPAN GLASS DOORS

MODELS

BVC2BL (For use with (A)BVD34FP Fireplace model series)

IMPORTANT: Please read these instructions carefully before starting the installation. Failure to follow these installation instructions may result in a possible fire hazard and will void the warranty. These instructions must be left with the appliance for future reference.

UL File No. MH45034
Effective Date: March 2006



IMPORTANT NOTICES

1. Be sure these instructions become the property of, and are reviewed by, all future users of the fireplace to encourage proper installation and operation of the glass doors.
2. All parts used with the fireplace system must be installed in accordance with these instructions. Failure to do so may be hazardous and will void the warranty. Read these instructions entirely before beginning the installation. Save the instructions for future reference.
3. All parts used with the fireplace system must be installed in accordance with these installation instructions. Failure to do so may be hazardous and will void the warranty.
4. Check to make sure all parts are included prior to assembly. See parts list on page 4 for reference.
5. Tools needed for installation includes standard and Phillips screwdrivers, and a 5/16" nutdriver.
6. Caution: sharp edges. Wear gloves and safety glasses when installing the glass door components.
7. Decorative non-combustible trim or finishing materials must not extend beyond the firebox side openings. Any materials that extend past the side firebox opening will interfere with the operation of the glass doors.

INSTALLATION

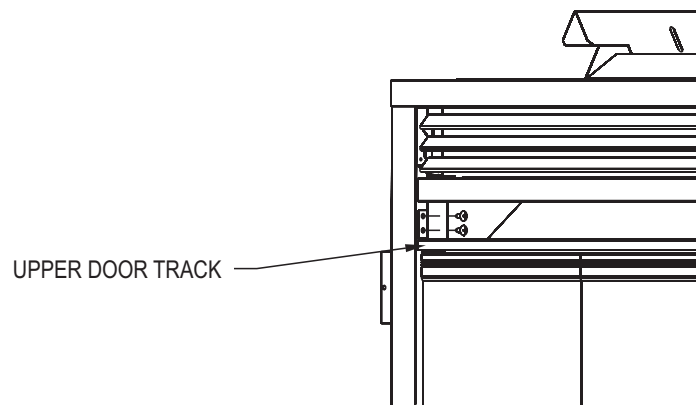


Figure 1

Step 1) Install the Top Door Track to the fireplace as shown in Figure 1 using (2) # 10 x ½” Ph Truss Hd screws at each end. Match up the holes in the track end tabs with the pilot holes in the sides of the fireplace.

Step 2) Install the Canopy by first removing the upper louver assembly (if one). Flush face fireplace models will have a 3/8” high opening just above the firebox that will accept the canopy’s rear tabbed flange. With the canopy tilted slightly upward, insert the canopy so that the rear locator tabs lock into the slots located in the firebox top. Rotate the canopy downward and install (1) # 10 x ½” Hex Hd screw at the center of the canopy. This screw will be installed from inside the firebox. The location is midway between the two firescreen rods at the center of the fireplace. Secure the canopy with this screw, but do not overtighten. See figure 2.

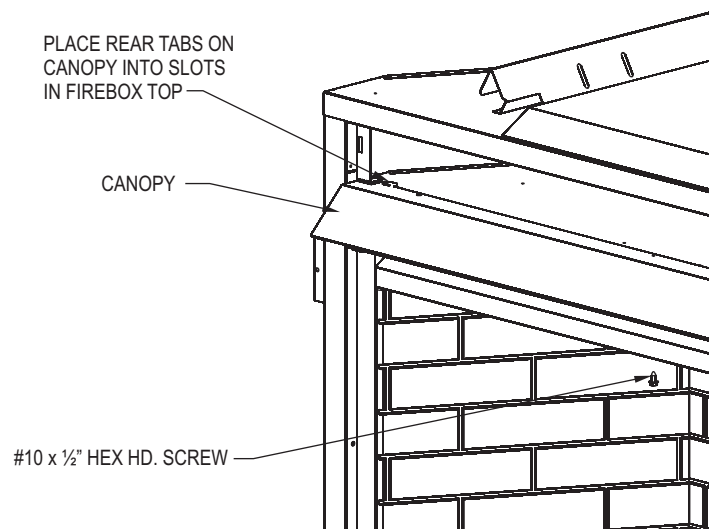


Figure 2

Step 3) Install the decorative handles to the glass door assembly as shown by the exploded parts view, Figure 4. The screws will be inserted from the rear of the bottom door trim and be inserted into the handles. Do not overtighten.

INSTALLATION (cont)

Step 4) Install the door assembly as shown in Figure 3. Grasp the door so that the handles are at the bottom.

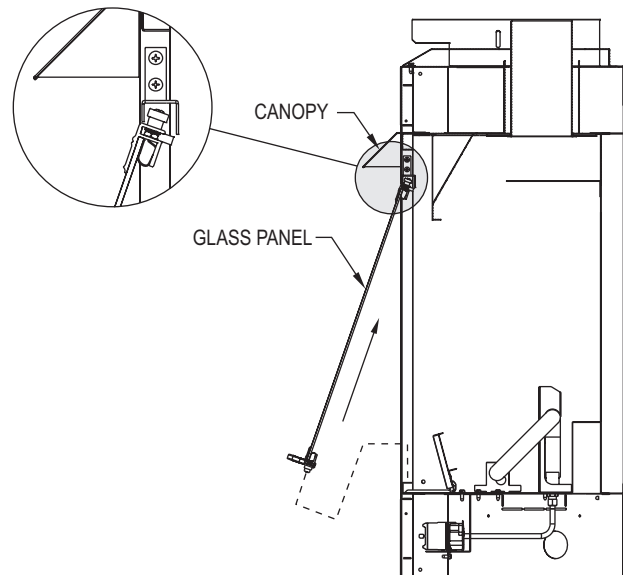


Figure 3

Step 5) Gently slide the top door spacers into the top door track. Lift upward on the door assembly and swing the bottom of the door inward. Align the bottom door pins with the locator holes in the firebox bottom return flange, then lower the door to secure.

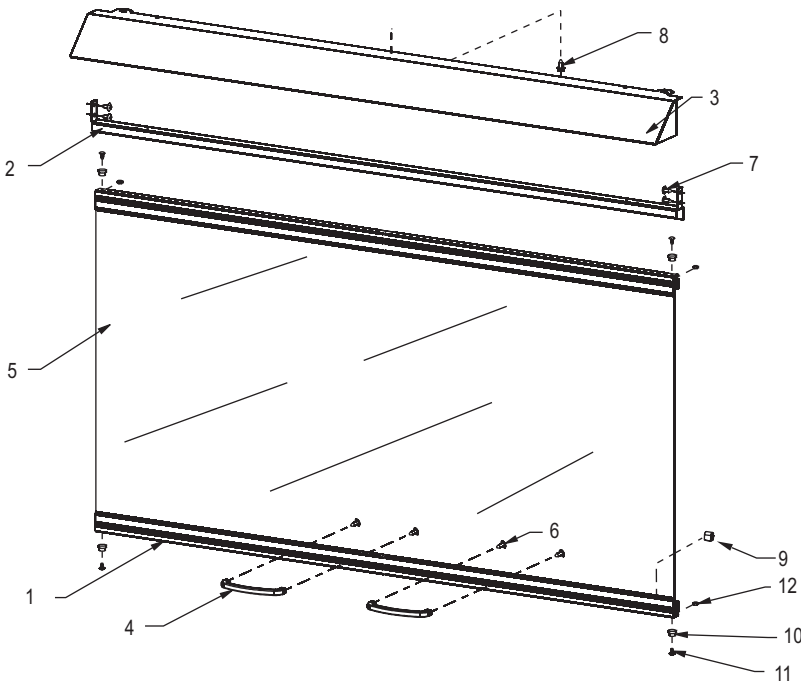
NOTE: If the height opening of the fireplace appears too small for the door to be installed, loosen the top door track screws, push upward on the door track and re-tighten the screws. This will increase the opening height for installation of the door assembly.

NOTE: The mesh firescreens may be left open prior to installing the fixed glass door, or may be removed prior to installing the fixed panel glass door assembly.

MAINTENANCE

- Do not use abrasive cleaners on the glass, trim, or canopy components. Abrasive cleaners will harm the finish and could weaken the tempering qualities of the glass.
- When cleaning is necessary, use only a soft cloth, mild soap and water. Painted surfaces should only be cleaned with a soft, damp cloth. Always let the glass doors completely cool down prior to cleaning.
- Repair or replacement parts are available through your dealer. Please refer to the exploded parts illustration for identification.

EXPLODED VIEW AND PARTS LIST



Index No.	"Part No. BVC2BL"	Description	Qty
1	19505	Glass Door Assembly	1
2	19483	Track, Door	1
3	19482	Canopy	1
4	R7882	Handle	2
5	R8183	Glass Panel	1
6	R8197	Screw #8-32x7/8"	4
7	R3580	Screw #8-18x1/2"	4
8	R2737	Screw #10x1/2"	1
9	R8126	Clip, Glass Retainer	8
10	R8118	Door Pin	4
11	R8161	Screw	4
12	R8162	Nut	4

Figure 5



Empire Comfort Systems, Inc.
 918 Freeburg Ave. Belleville, IL 62220
 PH: 618-233-7420 or 800-851-3153
 FAX: 618-233-7097 or 800-443-8648
 info@empirecomfort.com