

INSTALLATION INSTRUCTIONS

MODELS:

DVP20CCKR-1 - For use on Models DVP20CC(30,70)

DVP30CCKR-1 - For use on Models DVP30CC(30,70)

INSTRUCTIONS MUST BE LEFT WITH OWNER FOR REFERENCE AFTER INSTALLATION.

Tools Needed:

- 5/16" Nut Driver

Instructions

1. Remove casting top and front from fireplace.
2. Remove glass from fireplace. Open the two door clips located on the bottom left and right of glass door. **See Figure 1.**

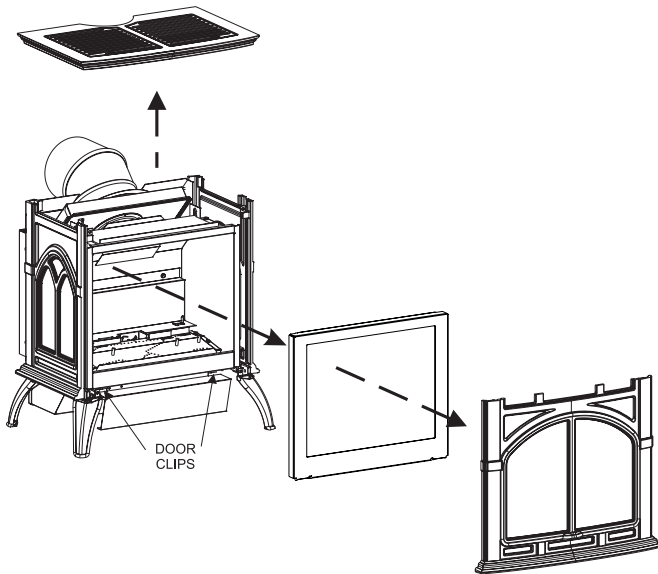
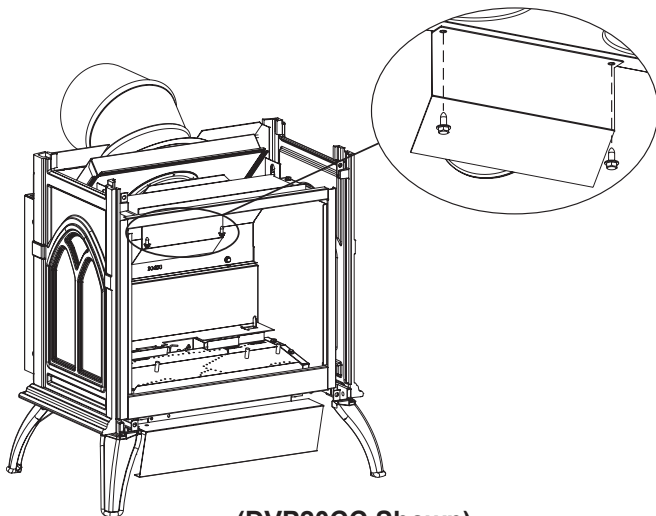


Figure 1

3. Remove logs from fireplace. Place logs in an area where they will not be broken.
4. Remove inner baffle from fireplace using a 5/16" nut driver to remove the two screws for DVP20CC and 4 screws for DVP30CC. **See Figure 2.**



**(DVP20CC Shown)
Figure 2**

5. Remove rear log support from fireplace using a 5/16" nut driver. **See Figure 3.**

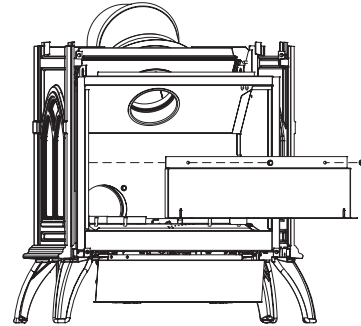


Figure 3

6. Remove the rearward screw from each of the two BlowPlate Brackets. Removal of these two screws eliminates interference when installing the rear liner panel. **See Figure 4.**

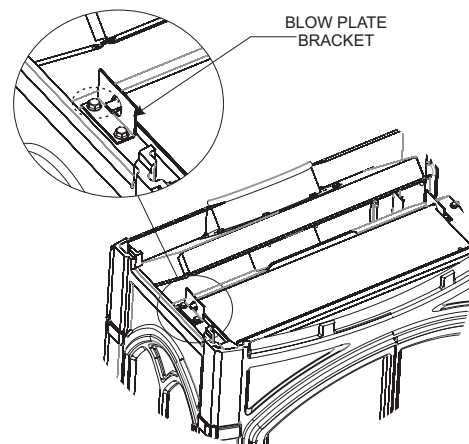


Figure 4

7. Install left reflective panel into the fireplace. **See Figure 5.**

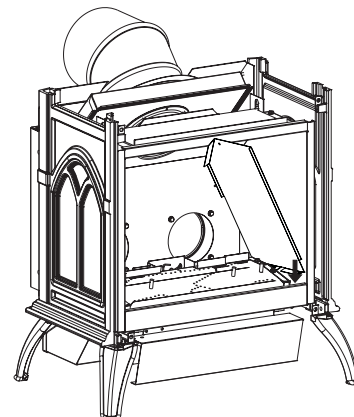


Figure 5

8. Install right reflective panel into the fireplace. See Figure 6.

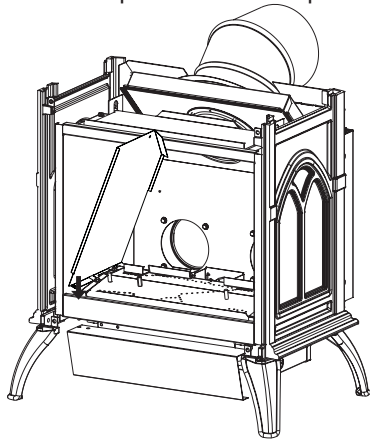


Figure 6

9. Install rear reflective panel into fireplace. See Figure 7.

10. Reinstall rear log support into fireplace with screws removed in step 6. See Figure 7

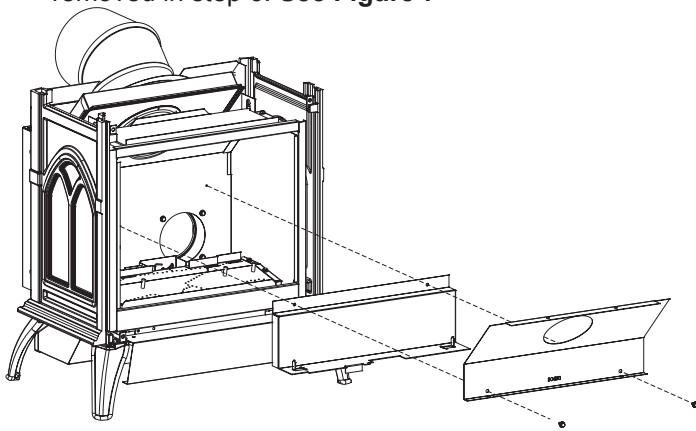


Figure 7

11. Reinstall inner baffle into fireplace with screws removed in step 5. The inner baffle will hold reflective panels in place. See Figure 8.

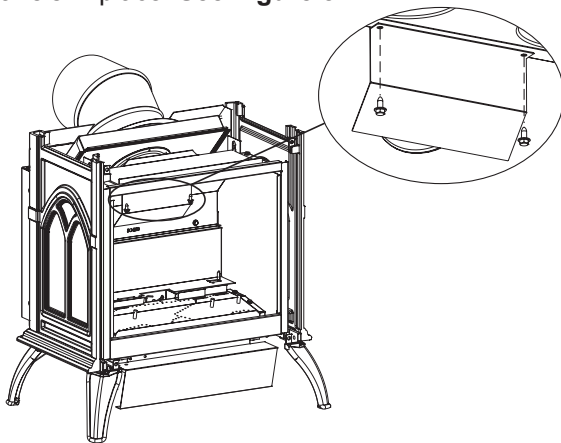
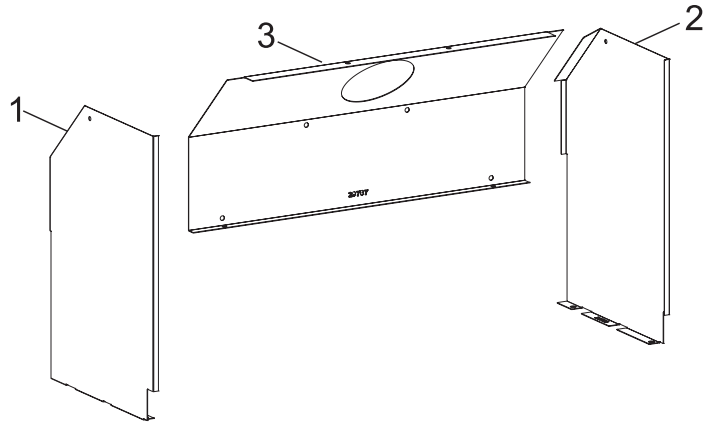


Figure 8

12. Re-install the two screws previously removed from the Blow Plate Brackets from step 6, Figure 4.
13. Reinstall logs into fireplace. Reference the Installation Instructions that came with the Cast Iron stove for proper placement.
14. Attach front glass door to fireplace.
15. Attach cast iron front and top to fireplace.
16. Installation is completed.



Index No.	Description	Part Number	
		DVP20CC	DVP30CC
1	Left Panel	30466BL	29784BL
2	Right Panel	30464BL	29782BL
3	Rear Panel	30467BL	29786BL