

# DVCX LINER & FLOOR KITS INSTALLATION INSTRUCTIONS

BLACK REFLECTIVE LINERS	
MODELS	DESCRIPTION
DVP36XKR-1	Traditional Black
DVP42XKR-1	Traditional Black
BLACK REFLECTIVE FLOORS	
MODELS	DESCRIPTION
DVF36XKR-1	Traditional Black
DVF42XKR-1	Traditional Black

CERAMIC FIBER LINERS	
MODELS	DESCRIPTION
DVP(36,42)XCB-1	Cottage Brick
DVP(36,42)XRB-1	Rustic Brick
DVP42XRBW-1	Rustic Brick White
CERAMIC FIBER LINERS with FLOORS	
MODELS	DESCRIPTION
DVP(36,42)XTS-1	Traditional Stone
DVP(36,42)XWS-1	Old World Stone

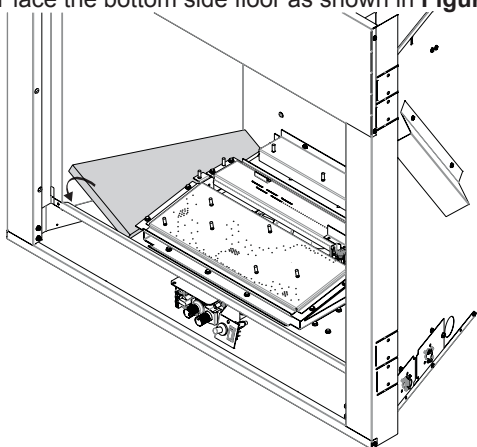
**INSTRUCTIONS MUST BE LEFT WITH THE OWNER FOR FUTURE REFERENCE AFTER INSTALLATION**

CARTON CONTENTS			
Description	Black Reflective Liners	Black Reflective Floors	Ceramic Fiber Liners
Rear Liner	1	-	1
Left Liner	1	-	1
Right Liner	1	-	1
Left Rear Leg	-	-	1
Right Rear Leg	-	-	1
Left Floor	-	1	1
Right Floor	-	1	1
Front Left Floor	-	1	1
Front Right Floor	-	1	1
Liner Bracket	2	-	2
#10 x 1/2 Screw	2	-	2
Rear Liner Insulation	1	-	-

**Tools needed:** Phillips screw driver

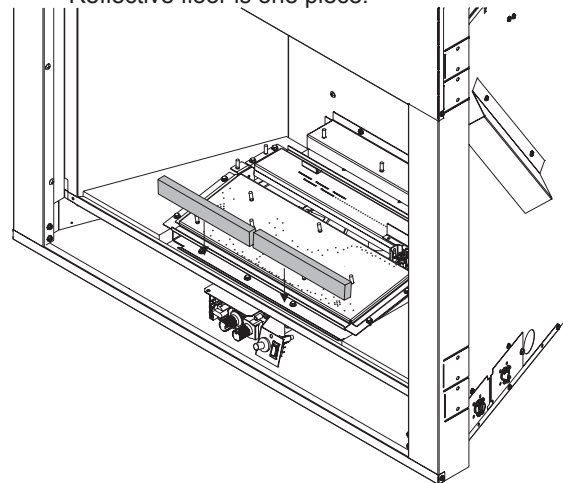
## Installation of Floors

1. Remove glass door and control panel. See the appliance owner's manual for more detailed information.
2. Place the bottom side floor as shown in **Figure 1**.



**Figure 1**

3. Place bottom middle floor as shown in **Figure 2**.  
**NOTE:** The Ceramic Fiber floor is two pieces and the Black Reflective floor is one piece.



**Figure 2**

## Installation of Liners

1. Prebend the brackets included with the kit as shown in **Figure 3**.

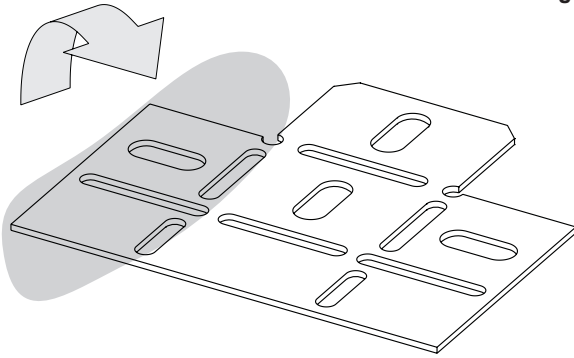


Figure 3

2. **For Ceramic Fiber Liners Only:** Place left and right rear legs as shown in **Figure 4**.

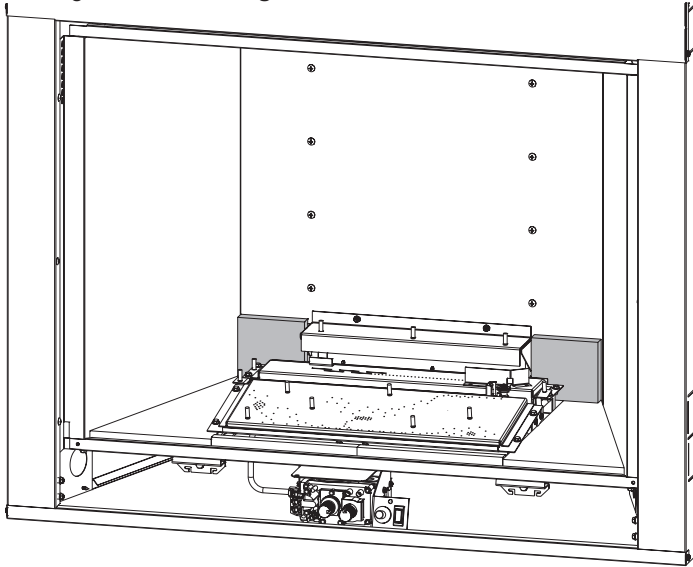


Figure 4

3. Place rear panel on the back of the firebox and hold with one hand. **See Figure 5.** Ensure rear panel is resting on fiber legs. **Note for Reflective Liners Only:** Place insulation behind rear liner before installing.

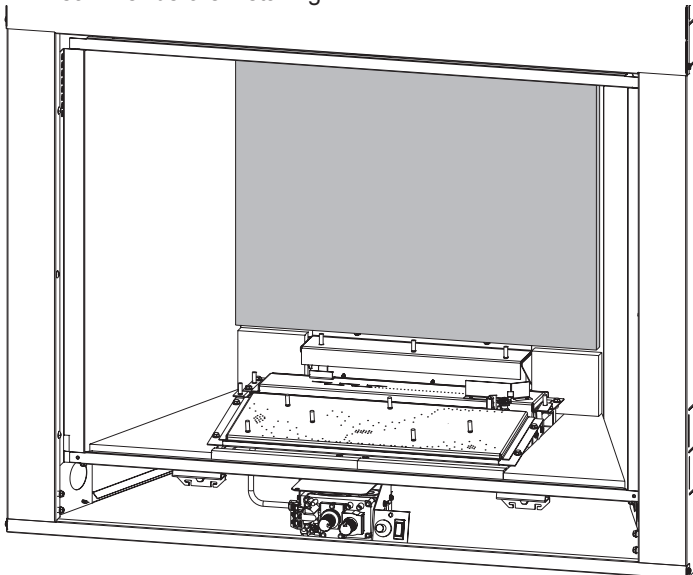


Figure 5

4. Remove the screw plugging the bracket hole in the top of the firebox.
5. Place left panel against left firebox and rear panel and hold side in place. Secure panel in place with one of the brackets and one #10 x 1/2 screw. **See Figure 6.**

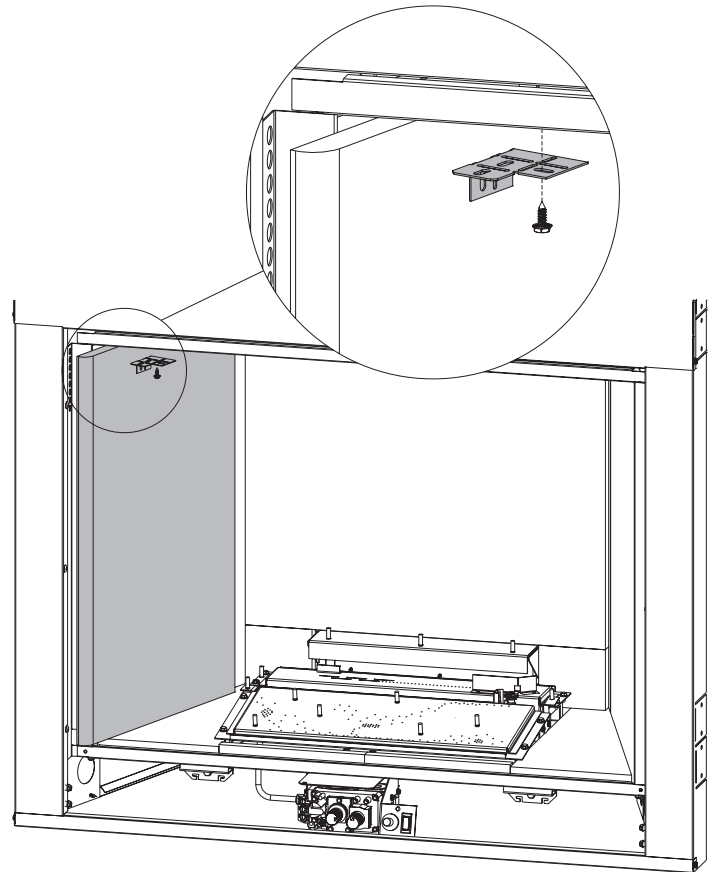
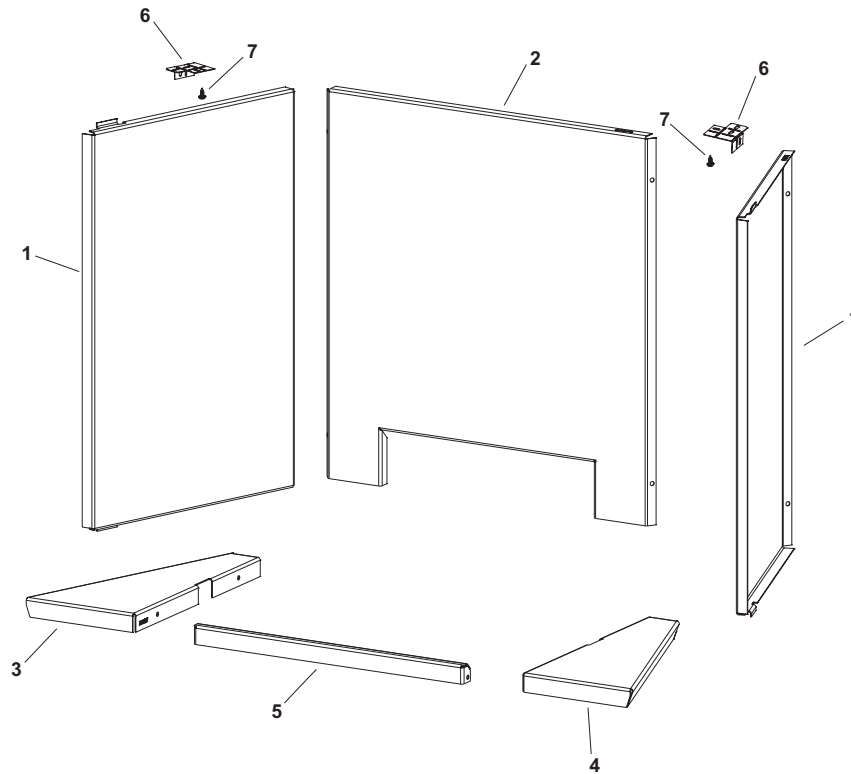


Figure 6

**NOTE:** The side liners each have a small dimple to indicate the bottom rear of the liner. When properly installed, the dimples will be at the bottom rear of the fireplace.

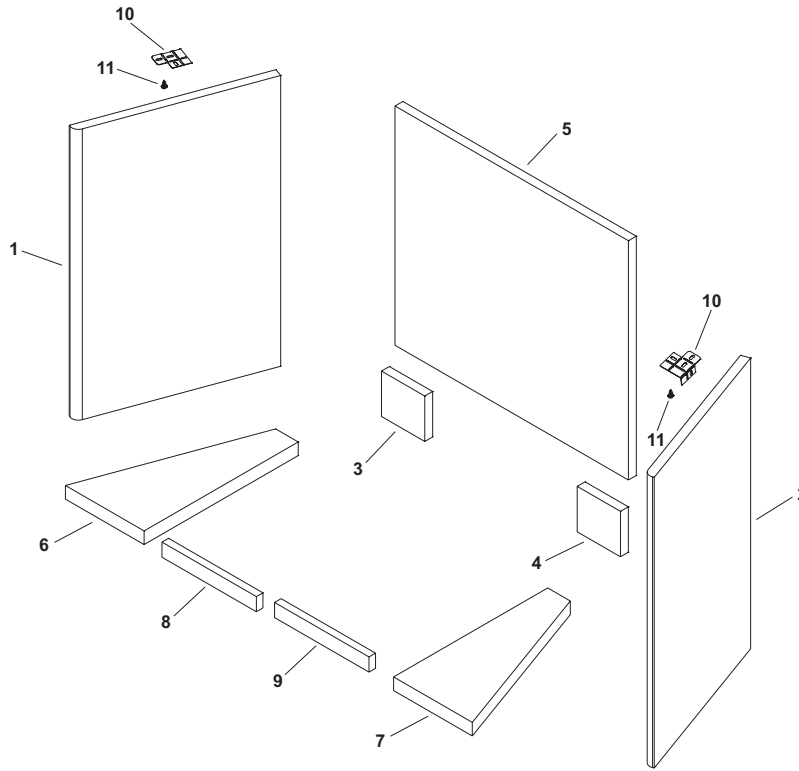
6. Repeat steps 4 and 5 for the right side.

## BLACK REFLECTIVE LINERS AND FLOORS EXPLODED VIEW AND PARTS LIST



INDEX NO.	PART NUMBER				DESCRIPTION	QTY SUPPLIED
	DVP36XKR	DVP42XKR	DVF36XKR	DVF42XKR		
1	33973	33973	-	-	SIDE LINER	1
2	33972	33978	-	-	REAR LINER	1
3	-	-	33975	33979	BOTTOM LEFT LINER	1
4	-	-	33976	33980	BOTTOM RIGHT LINER	1
5	-	-	33977	33977	BOTTOM CENTER LINER	1
6	29270	29270	-	-	LINER BRACKET	2
7	R2737	R2737	-	-	SCREWS #10 X 1/2	2
Not Shown	R11994	R11995	-	-	REAR LINER INSULATION	1

# CERAMIC FIBER LINERS AND FLOORS EXPLODED VIEW AND PARTS LIST



CERAMIC FIBER LINERS - WITHOUT FLOORS							
INDEX NO.	PART NUMBER					DESCRIPTION	QTY SUPPLIED
	DVP36XCB	DVP42XCB	DVP36XRB	DVP42XRB	DVP42XRBW		
1	34069	34069	34064	34064	37875	LEFT SIDE LINER	1
2	34070	34070	34065	34065	37876	RIGHT SIDE LINER	1
3	34071	34071	34077	34074	37878	LEFT LEG LINER	1
4	34072	34072	34078	34075	37879	RIGHT LEG LINER	1
5	34068	34076	34063	34073	37877	REAR LINER	1
10	29270	29270	29270	29270	29270	LINER BRACKET	2
11	R2737	R2737	R2737	R2737	R2737	SCREWS #10 X 1/2	2

CERAMIC FIBER LINERS - WITH FLOORS							
INDEX NO.	PART NUMBER				DESCRIPTION	QTY SUPPLIED	
	DVP36XTS	DVP42XTS	DVF36XWS	DVF42XWS			
1	34087	34087	34080	34080	LEFT SIDE LINER	1	
2	34088	34088	34081	34081	RIGHT SIDE LINER	1	
3	34089	34099	34082	34094	LEFT LEG LINER	1	
4	34090	34100	34083	34095	RIGHT LEG LINER	1	
5	34086	34098	34079	34093	REAR LINER	1	
6	34091	34101	34084	34069	LEFT BOTTOM LINER	1	
7	34092	34102	34085	34070	RIGHT BOTTOM LINER	1	
8	34105	34105	34103	34103	LEFT CENTER BOTTOM LINER	1	
9	34106	34106	34104	34104	RIGHT CENTER BOTTOM LINER	1	
10	29270	29270	29270	29270	LINER BRACKET	2	
11	R2737	R2737	R2737	R2737	SCREWS #10 X 1/2	2	