

Boulevard

DIRECT-VENT LINEAR FIREPLACES

DECORATIVE FRONT GLASS BARRIER KITS

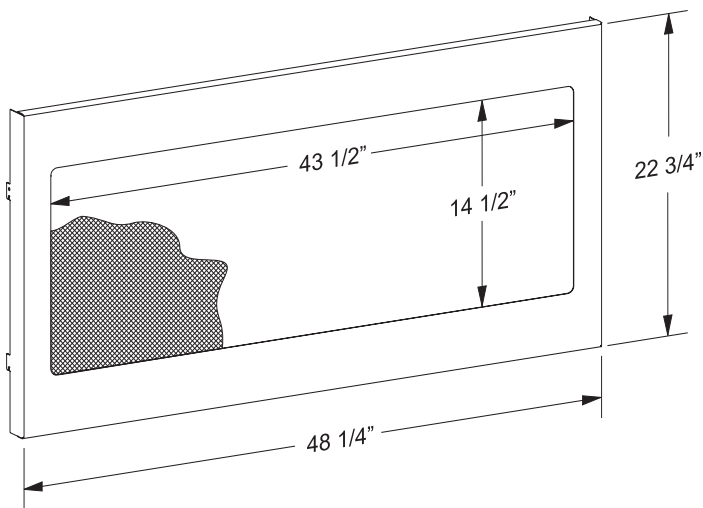
DFQ412BL-1

DFQ414BL-1

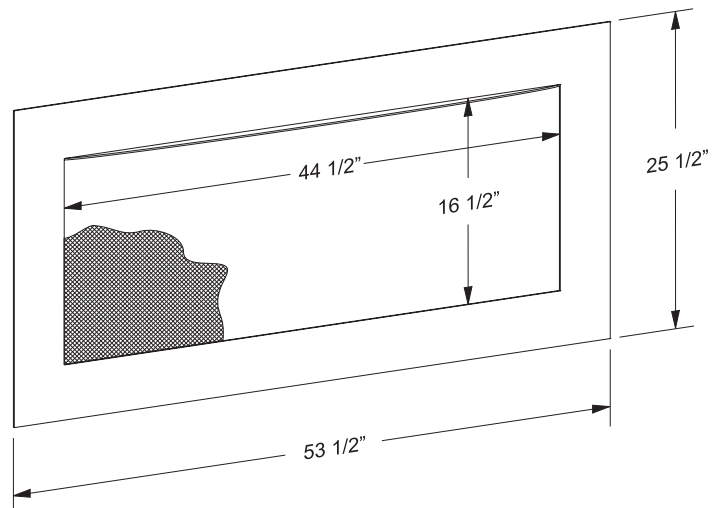
DFQ41WBL-1

DFQ41WHP-1

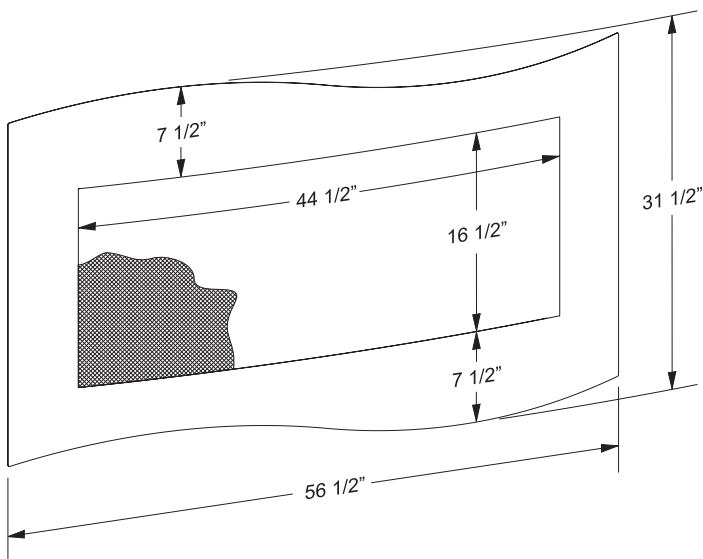
INSTRUCTIONS MUST BE LEFT WITH THE OWNER AFTER INSTALLATION.



DFQ412BL



DFQ414BL



DVQ41WBL & DFQ41WHP

DFQ412BL DECORATIVE FRONT BARRIER - INSTALLATION

ATTENTION

Noncombustible finishing materials may be placed up to the Side Stone stops and Clean Face Hood. This should be completed prior to installing the DFQ412BL Decorative Front Barrier.

Please refer to "Finishing The Wall" section in the fireplace installation manual for detailed installation information.

1. Carefully unpack the Decorative Front Barrier assembly.
2. Locate the (2) Side Stone Stops and the Clean Face Hood.
3. Remove the Glass Door assembly before installing the stone stops and hood.
4. To install the side stone stops, loosen the top and bottom Phillips head screws located on the inside flanges of the fireplace opening. See Figure 1. Then align the slots in the side stone stops with the previously loosened screws. Re-tighten the two screws on each side stone stop to secure.

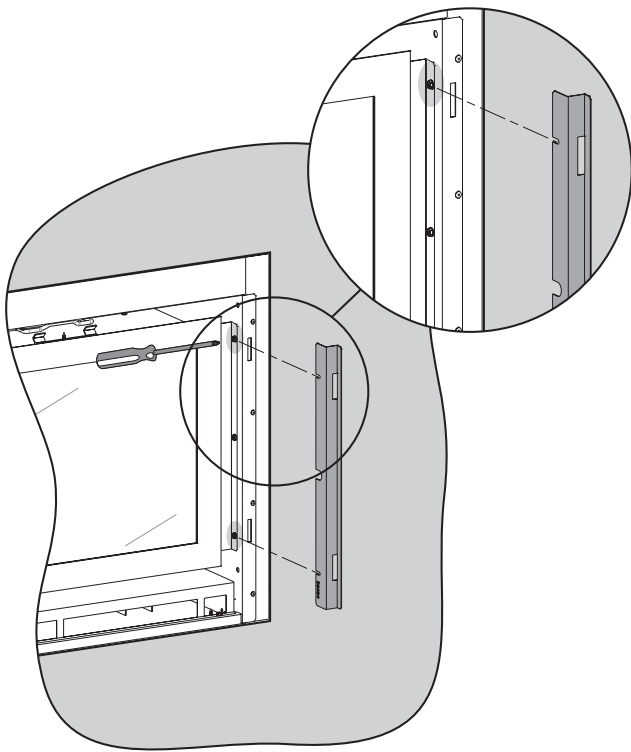


Figure 1

5. To install the Clean Face Hood, loosen the (7) hex head screws located across the top opening of the fireplace, then align and slide in the Clean Face Hood and retighten the screws to secure. (See Figure 2)

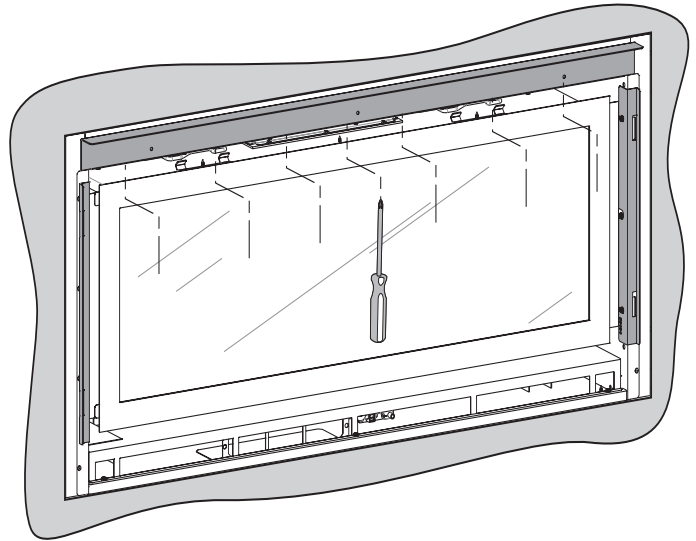


Figure 2

6. Re-install the glass door assembly.
7. To install the DFQ412BL Decorative Front Barrier kit, simply line up and engage the four tabs on the barrier front with the slots in the fireplace.
NOTE: The top of the barrier frame is to be positioned under the clean face hood installation Step 5. (See Figure 3)

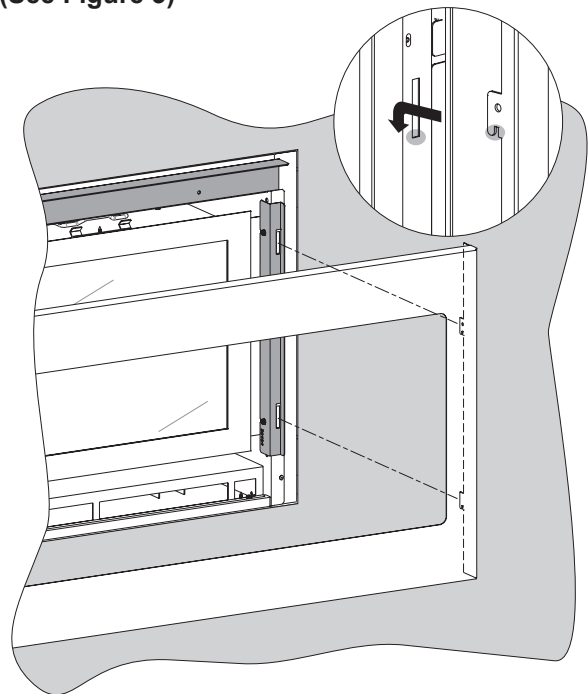


Figure 3

9. Installation complete.

DFQ414BL, DFQ41WBL, OR DFQ41WHP DECORATIVE FRONT BARRIER - INSTALLATION

1. Carefully unpack the Decorative Front Barrier assembly.
2. To install the Decorative Front Barrier kit, simply line up and engage the four tabs on the back of the barrier with the slots in the fireplace. (See Figures 4 & 5)

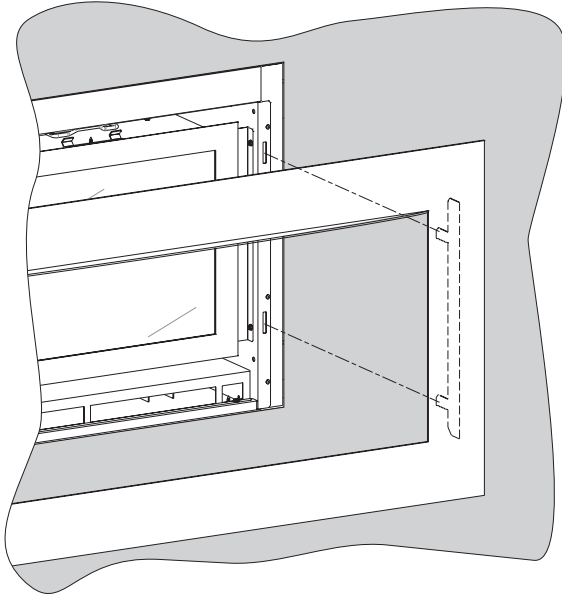


Figure 4

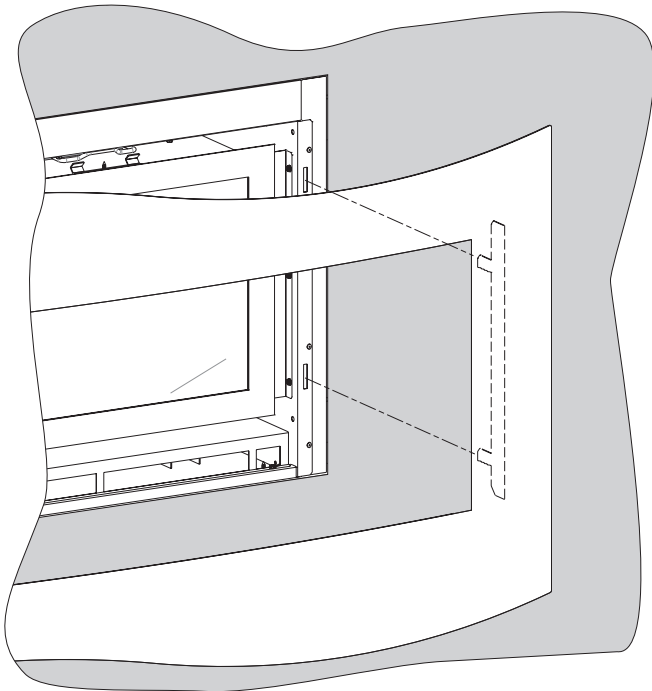
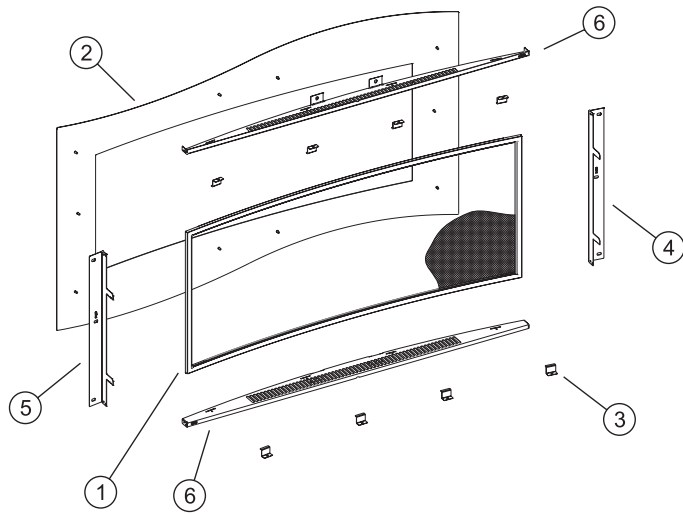


Figure 5

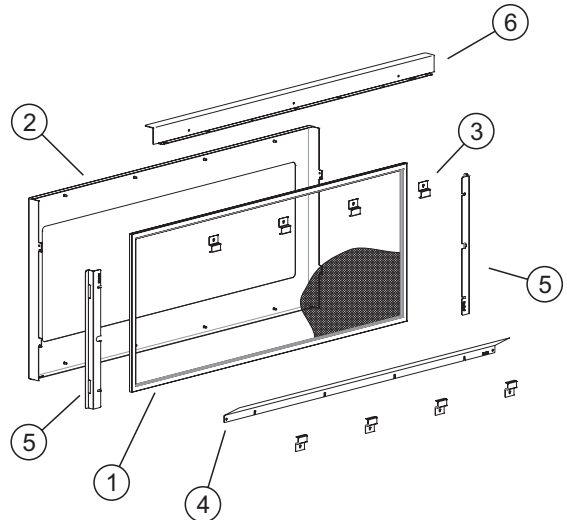
3. Installation complete.

Parts List & View - DFQ41WBL



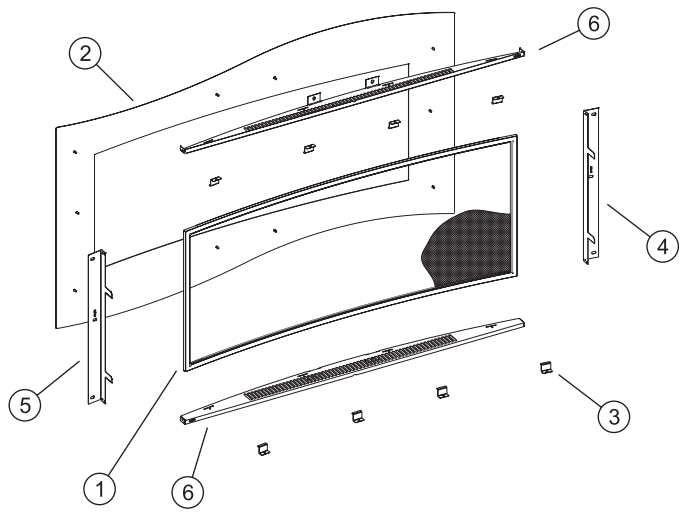
Index Number	Part Number	Description	Quantity
1	Q0017	Screen	1
2	34521	Front Weldment	1
3	34520	Screen Clip	8
4	30777	Hanger Bracket - Left	1
5	30778	Hanger Bracket - Right	1
6	34519	Filler Bracket	2

Parts List & View - DFQ412



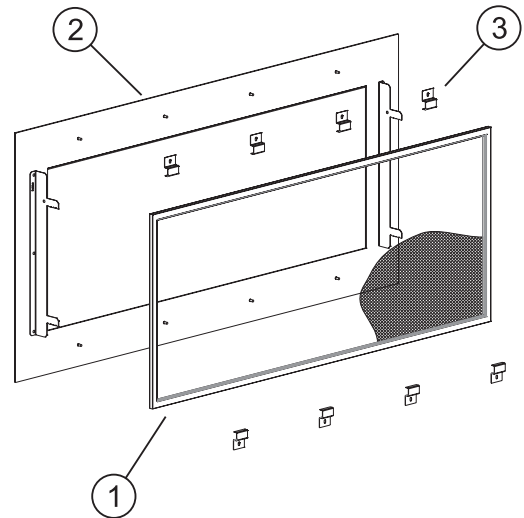
Index Number	Part Number	Description	Quantity
1	Q0017	Screen	1
2	34508	Front Weldment	1
3	34510	Screen Clip	8
4	34511	Heat Deflector	1
5	28494	Side Stone Stop	2
6	28493	Clean Face Hood	1

Parts List & View - DFQ41WHP



Index Number	Part Number	Description	Quantity
1	Q0017	Screen	1
2	34523	Front Weldment	1
3	34520	Screen Clip	8
4	30780	Hanger Bracket - Left	1
5	30781	Hanger Bracket - Right	1
6	34522	Filler Bracket	2

Parts List & View - DFQ414



Index Number	Part Number	Description	Quantity
1	Q0017	Screen	1
2	34513	Front Weldment	1
3	34510	Screen Clip	8