



SINCE 1932

DVCT40 LINER KITS INSTALLATION INSTRUCTIONS



BLACK PORCELAIN LINERS

MODELS	DESCRIPTION
DVP40PKR-1	Traditional Black
Note: LINER FLOOR and LINER TOP ASSEMBLY are painted.	

CERAMIC FIBER LINERS

MODELS	DESCRIPTION
DVP40PMB-1	Cottage Brick
DVP40PTB-1	Rustic Brick
DVP40PTS-1	Traditional Stone
DVP40PWS-1	Old World Stone

LEAVE INSTRUCTIONS WITH THE HOMEOWNER.

Carton Contents		
Description	Black Porcelain Liners	Ceramic Fiber Liners
LINER REAR	1	1
LINER SIDE - LEFT	1	1
LINER SIDE - RIGHT	1	1
LEFT FLOOR	N/A	1
RIGHT FLOOR	N/A	1
LINER BRACKET	1	1
#10 x 1/2 Screw	3	3
LINER TOP ASSEMBLY	1	1
LINER FLOOR	1	N/A

Tools needed: Phillips screw driver

Installation of Floors

1. Remove barrier screen and glass door. (See the owner's manual for instructions)
2. Place the RIGHT and LEFT FLOOR as (Shown In Figures 1 or 2).

NOTE: The Ceramic Fiber LEFT and RIGHT FLOOR are two pieces and the Black Porcelain LINER FLOOR is one piece.

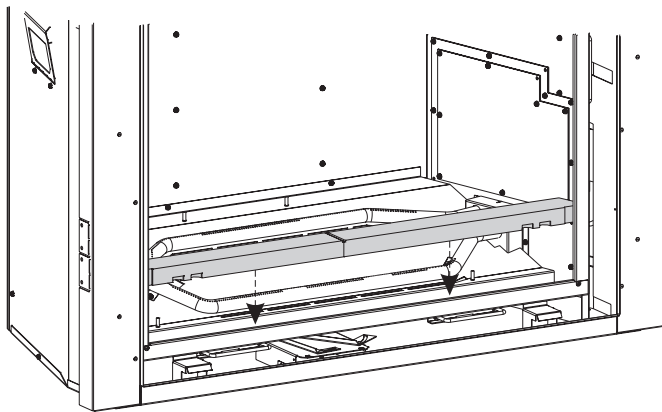


Figure 1
Ceramic Fiber - Left and Right Floor

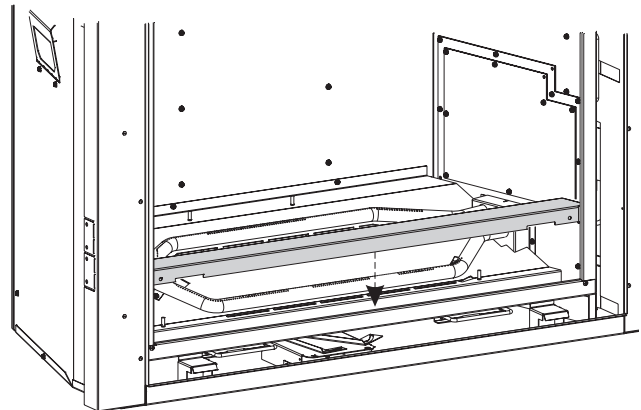


Figure 2
Black Porcelain - Liner Floor

NOTE: Video of liner installation available through distributor login found at www.empirecomfort.com.

Installation of Liner

1. Place LINER REAR on the back of the firebox and hold with one hand. (See Figure 3)

NOTE: (For Porcelain Liner Kit Only) Ensure insulation is behind LINER REAR, LINER SIDE - LEFT and LINER SIDE - RIGHT before installing.

NOTE: (For Fiber Brick Liner Kit Only) Protruding bricks are installed towards the top.

NOTE: (For Fiber Rock Liner Kit Only) Thicker rocks are installed towards the top.

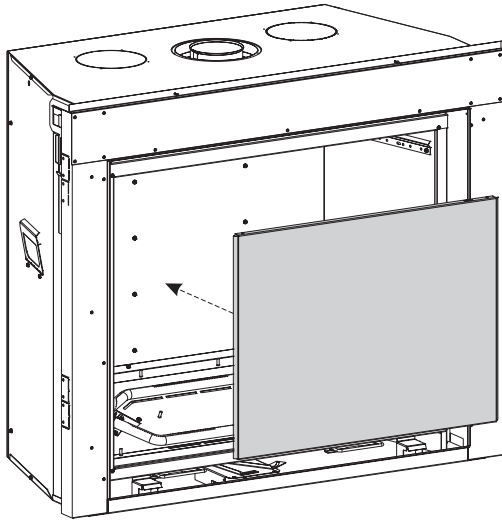


Figure 3

2. Place LINER SIDE- RIGHT against right firebox wall and LINER REAR and push back to hold into place. Repeat for LINER SIDE - LEFT. (See Figure 4)

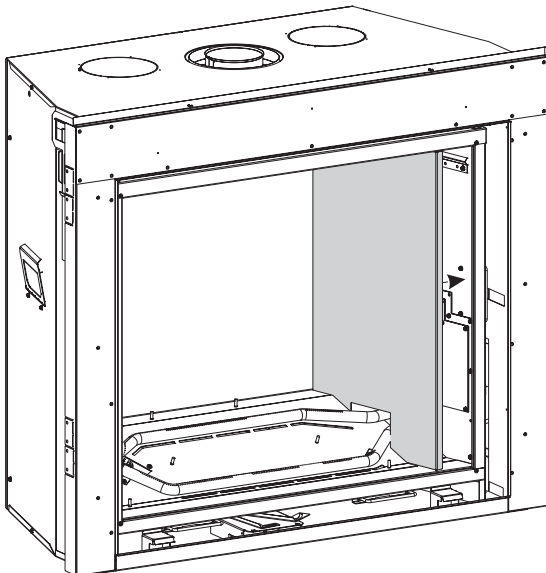


Figure 4

3. Place the LINER TOP ASSEMBLY so that it rests on the LINER REAR and secure with LINER BRACKET and (3) screws. (See figure 5)

NOTE: (For Porcelain Liner Kit Only) Ensure (porcelain coated side) faces down.

NOTE: (For All Fiber Liner Kits Only) Ensure (painted side) faces down, (black side) should face up.

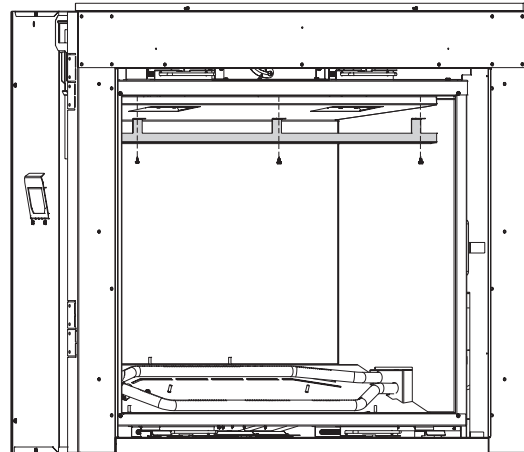
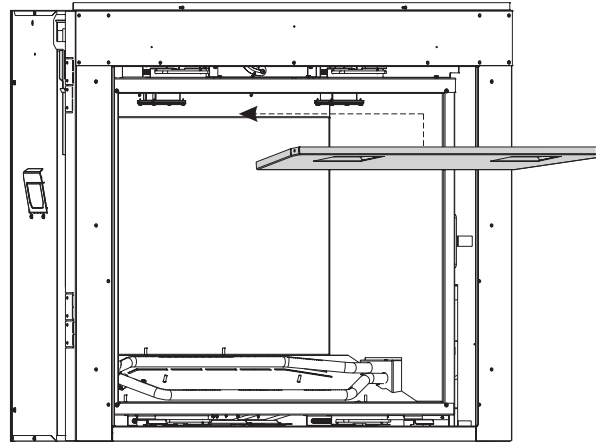
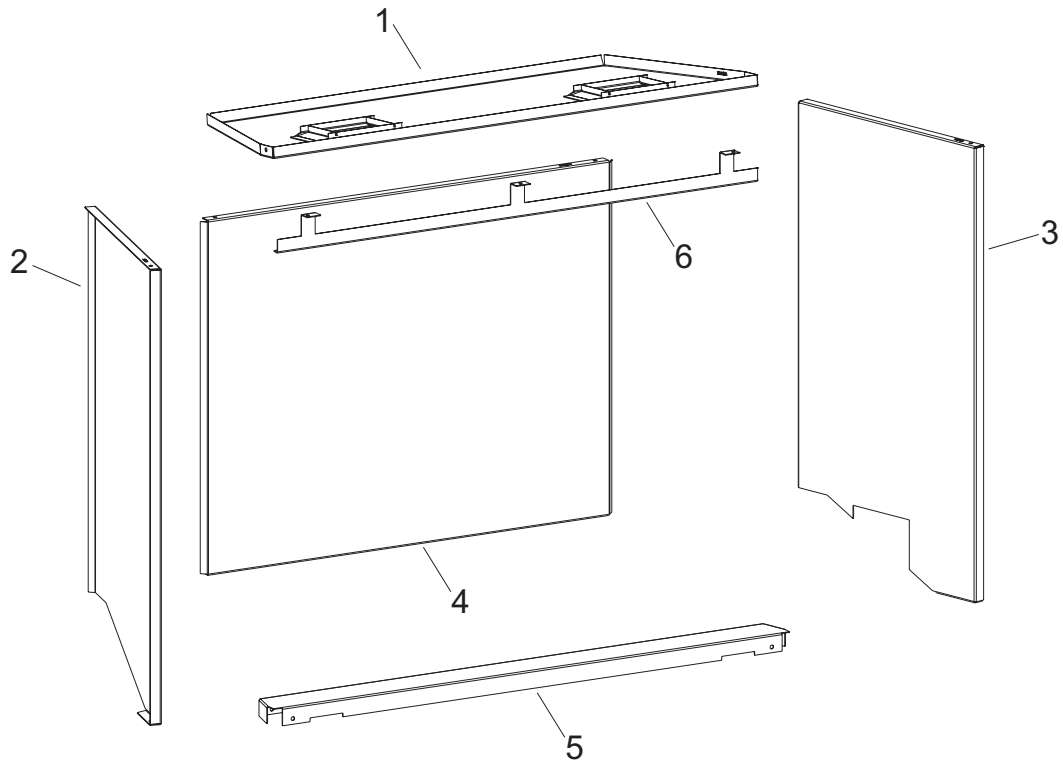


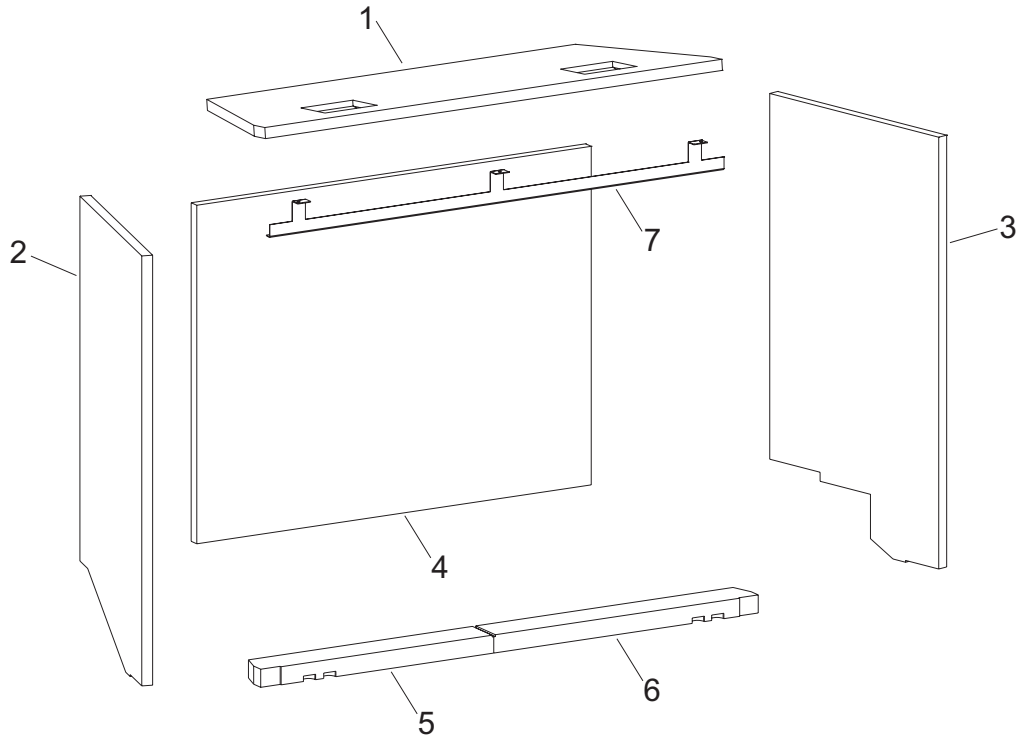
Figure 5

BLACK PORCELAIN LINER KIT EXPLODED VIEW AND PARTS LIST

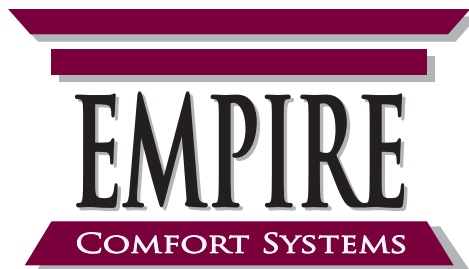


INDEX NO.	PART NUMBER	DESCRIPTION	QTY SUPPLIED
	DVP40PKR		
1	33637	LINER TOP ASSEMBLY	1
2	36640	LINER SIDE - LEFT	1
3	36639	LINER SIDE - RIGHT	1
4	36638	LINER REAR	1
5	36635	LINER FLOOR	1
6	34767	LINER BRACKET	1
NOT SHOWN	R2737	HEX HEAD #10x1/2 SCREW	3

CERAMIC FIBER LINER KIT EXPLODED VIEW AND PARTS LIST



INDEX NO.	PART NUMBER				DESCRIPTION	QTY SUPPLIED
	DVP40PMB	DVP40PTB	DVP40PTS	DVP40PWS		
1	34771	34771	34771	34771	LINER TOP	1
2	36252	36257	36246	34772	LINER SIDE - LEFT	1
3	36253	36258	36247	34773	LINER SIDE - RIGHT	1
4	36250	36256	36245	34770	LINER REAR	1
5	36255	34076	34798	34798	LINER FLOOR - LEFT	1
6	36254	36254	34774	34774	LINER FLOOR - RIGHT	1
7	34767	34767	34767	34767	LINER BRACKET	1
NOT SHOWN	R2737	R2737	R2737	R2737	HEX HEAD #10x1/2 SCREW	3



**Empire Comfort Systems Inc.
Belleville, Illinois**

If you have a general question about our products, please e-mail us at info@empirecomfort.com.

If you have a service or repair question, please contact your dealer.

www.empirecomfort.com