

INSTALLATION INSTRUCTIONS

CABINET MANTEL - CONTEMPORARY SERIES

FULL CABINET MANTELS

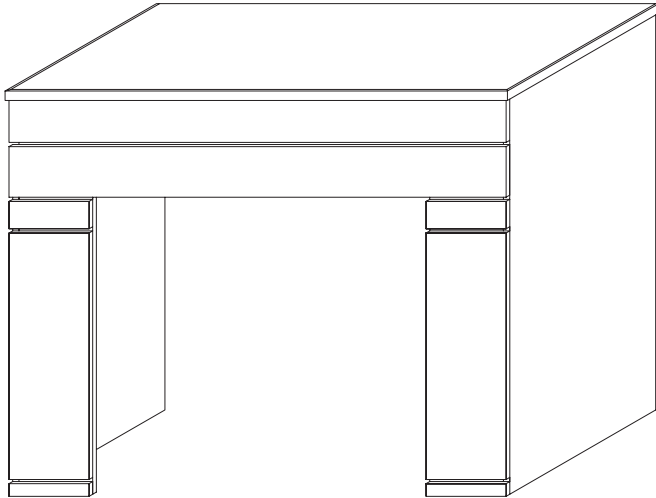
MODEL NUMBERS:

EMF1A32S(B,W)-1

EMF1A36S(B,W)-1

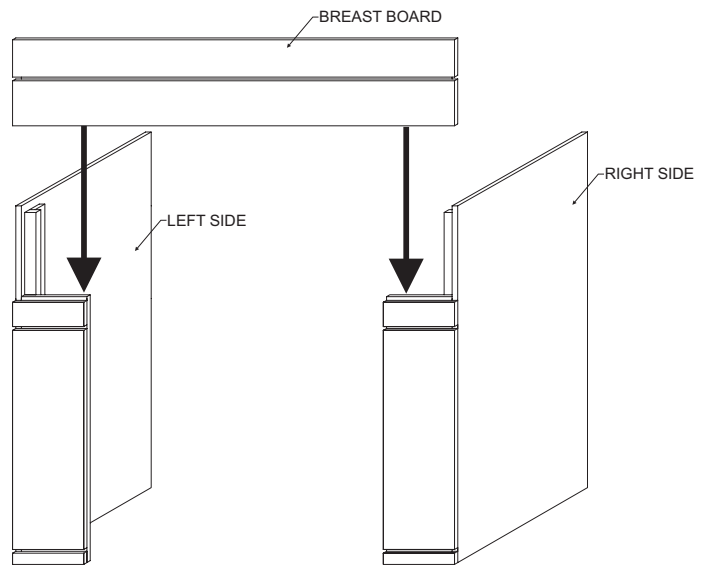
EMF1A42S(B,W)-1

KEEP THESE INSTALLATION INSTRUCTIONS FOR FUTURE REFERENCE.

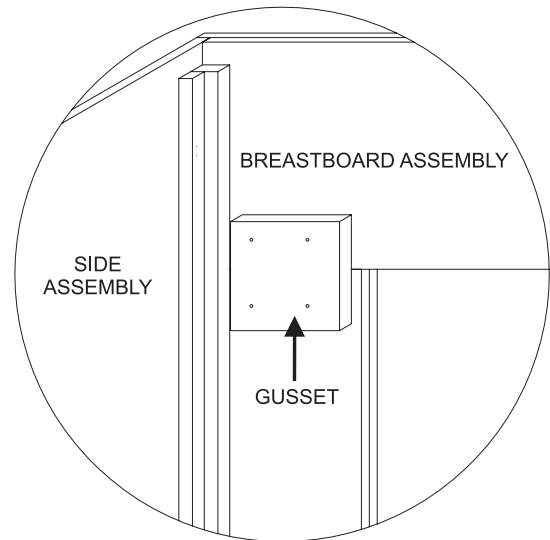


Installation

1. Place fireplace in desired location and route gas line to fireplace.
2. Position breastboard assembly to the front of the left side assembly and right side assembly.

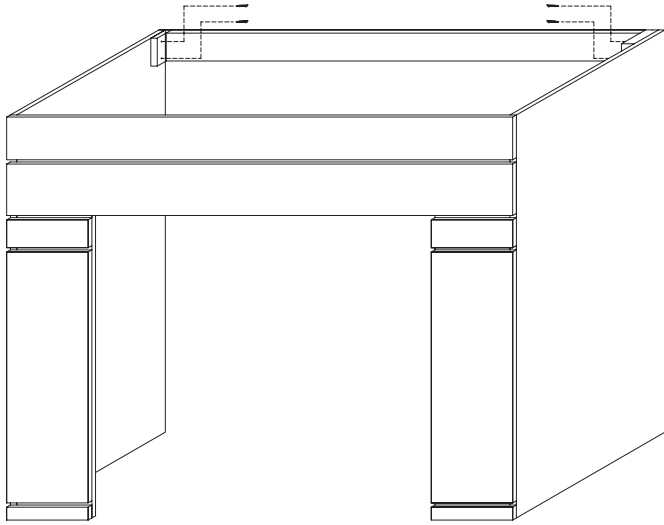


3. Use (4) 1-1/4" drywall screws per side to attach gussets to the side assemblies and breastboard assembly.

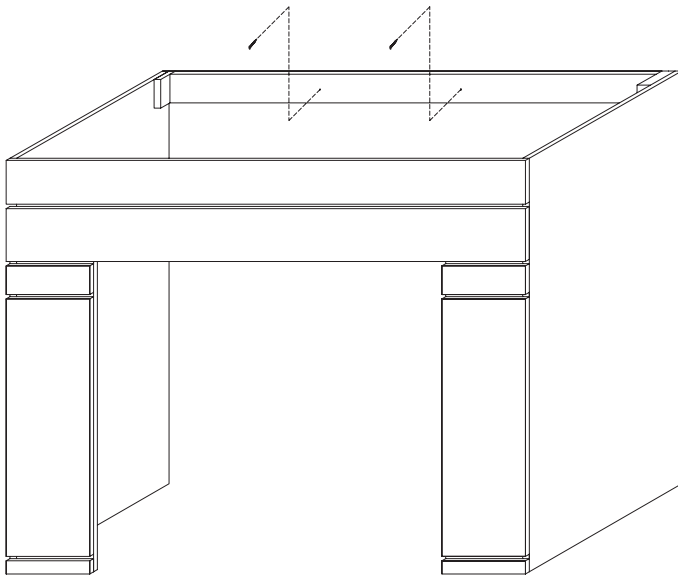


HARDWARE PACK CONTENTS	
Description	Quantity Supplied
10 x 1/2" Screws	3
1-1/4" Drywall Screws	12
2-1/2" Drywall Screws	2
"L" Bracket	1

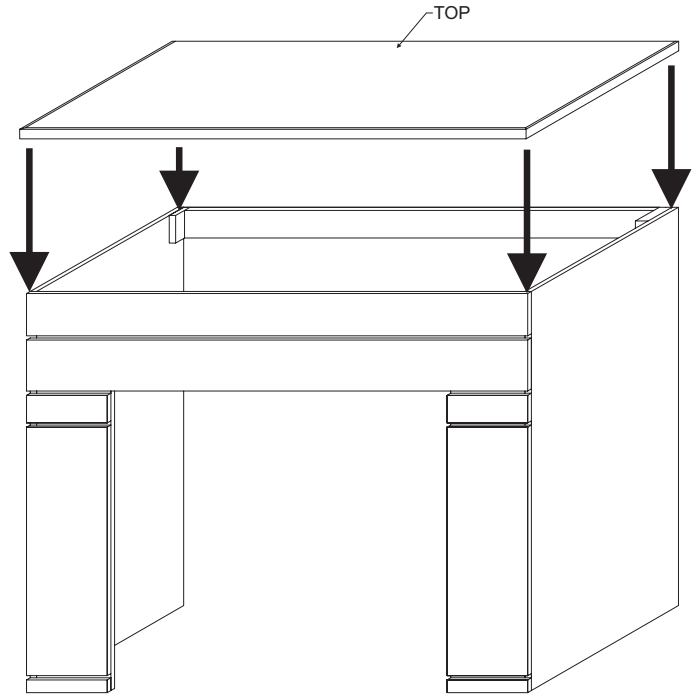
4. Attach "L" Bracket to top of fireplace to secure mantel to the firebox using (3) 10 x 1/2" screws.
5. Attach the rear brace to the left and right side assemblies through the pre-drilled holes using (4) 1-1/4" drywall screws, two per side.



6. Attach unit to studs in the wall through the rear brace using (2) 2-1/2" drywall screws provided.



7. Place mantel top onto mantel assembly.



8. Install desired trim.
9. Installation of full cabinet mantel is complete.



Empire Comfort Systems Inc.
918 Freeburg Ave. Belleville, IL 62220

If you have a general question about our products, please e-mail us at info@empirecomfort.com.

If you have a service or repair question, please contact your dealer.

www.empirecomfort.com