

BOULEVARD 60-INCH & 72-INCH  
Linear Vent-Free Fireplaces



*Boulevard*

Boulevard 72-inch Vent-Free Linear Fireplace with Black Reflective Glass Liner and Crushed Glass



Boulevard 60-inch Vent-Free Linear Fireplace with Black Reflective Liner and Log Set with Rocks





The programmable LED lighting system offers a variety of colors.

# BEYOND BOLD

**Sometimes a fireplace goes beyond just the flame . . . and becomes art**

**With its outsize proportions, its contemporary burner, and its programmable lighting system concealed beneath an ocean of crushed glass, a Boulevard Linear Vent-Free Fireplace makes a bold statement that's sure to turn heads in any setting. Choose the Boulevard 60 in single-sided or see-through, or Boulevard 72 – as in a true five foot or six foot fireplace opening. Both systems are available in Propane (38,500 Btu) and Natural Gas (40,000 Btu).**

## **Options Abound**

Accessorize your Boulevard Fireplace with the unique ceramic glass black reflective liner to create the illusion of unimaginable depth; or for single-sided models, opt for the stainless steel liner for a brighter contemporary feel.

Choose a decorative 1½-inch beveled front in matte black, a simple black ¾-inch frame, or have your contractor install tile, stone or plaster right to the fireplace opening— the ultimate in design simplicity.

The Boulevard 60 See-Through can be installed between two interior rooms, or on an exterior wall using the stainless steel outdoor kit which includes a window and barrier screen. See manual for specific framing requirements.

Your Boulevard requires clear crushed glass to cover the lighting system. Create a beachfront cottage look with the driftwood log set – perfectly proportioned to the Boulevard's lines – plus an assortment of stones. The logs and stones are molded from ceramic fiber and hand painted for rich detail.

## **Heat and Fire**

At up to 40,000 Btu and 99-percent efficient, your new Boulevard Fireplace can warm a large room with ease. And thanks to its advanced technology, you control the temperature and the ambiance.

The Boulevard's Intermittent Pilot system eliminates the standing pilot – saving energy and your money. When you want fire, press the button – or just let the programmable thermostat maintain your desired room temperature. Thanks to its advanced logic, the thermostat remote control anticipates heat demand and varies flame height to minimize temperature fluctuations in the room. In the event of a power outage, your Boulevard fireplace can operate on battery backup mode.

**Beautiful, elegant, and efficient . . . your Boulevard fireplace will add value, ambiance, and warmth to your home.**



The Boulevard 60 See-Through installs as a conventional see-through on an interior wall, but also works as an indoor/outdoor see-through on an exterior wall (requires DFEV60SS stainless steel frame for outside wall).

## DECORATIVE MEDIA (REQUIRED)

Crushed decorative glass is required. Start with Clear Frost, Copper Reflective, or Bronze Reflective, which allow the LED lighting to show from under the burner. Additional decorative media is optional and may be used for accent only. Each package covers approximately 1 square foot.



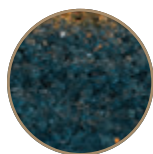
Clear Frost Crushed



Copper Reflective Crushed



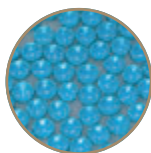
Bronze Reflective Crushed



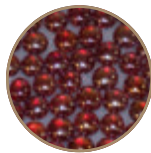
Blue Clear Crushed



Black Polished Crushed



Aqua Blue Droplets



Sangria Luster Droplets

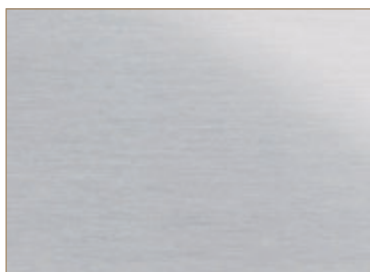


Glacier Ice Droplets



Accent Pebbles

## LINERS (OPTIONAL)



Stainless Steel



Black Reflective Glass

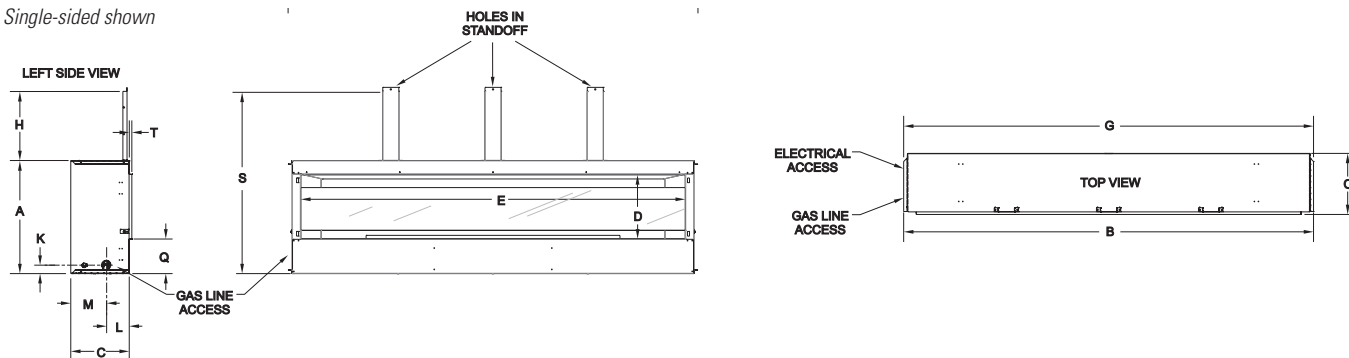
## TRIM KITS (OPTIONAL)



L to R: Matte Black Trim;  
Beveled Front in Matte Black

# DIMENSIONS AND SPECIFICATIONS

Single-sided shown



MODEL	A	B	C	D	E	F	H	K	L	M	Q	S	T
VFLL60FP90LP	22-1/4	64-3/4	11-1/4	12-1/8	60	10	19	1-5/8	4-3/8	6-7/8	7-1/2	41-1/8	1/2
VFLL60FP90LN	22-1/4	64-3/4	11-1/4	12-1/8	60	10	19	1-5/8	4-3/8	6-7/8	7-1/2	41-1/8	1/2
VFLL60SP90LP	22-1/4	64-3/4	11-13/16	12-1/8	60	N/A	18-15/16	3/4	7-3/4	2-15/16	7-1/2	41-1/8	1/2
VFLL60SP90LN	22-1/4	64-3/4	11-13/16	12-1/8	60	N/A	18-15/16	3/4	7-3/4	2-15/16	7-1/2	41-1/8	1/2
VFLL72FP90LP	22-1/4	76-3/4	11-1/4	12-1/8	72	10	19	1-5/8	4-3/8	6-7/8	7-1/2	41-1/8	1/2
VFLL72FP90LN	22-1/4	76-3/4	11-1/4	12-1/8	72	10	19	1-5/8	4-3/8	6-7/8	7-1/2	41-1/8	1/2

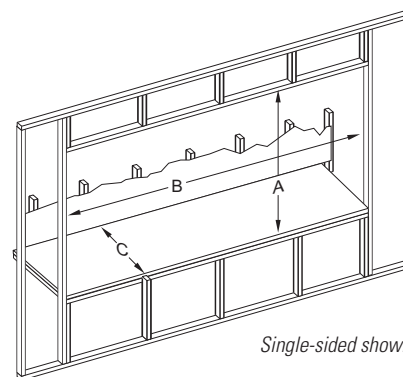
Measurements given in inches

## FRAMING DIMENSIONS

	VFLL60FP	VFLL60SP	VFLL72FP
A	41-1/4	41-1/4	41-1/4
B	65	65	77
C	11-1/2	11-13/16*	11-1/2

Measurements given in inches.

\*Dimensions may vary based on install. See manual.



Single-sided shown

**WARRANTY:** All vent-free products carry a five-year limited warranty with a five-year limited labor warranty. All remote controls and lighting systems carry a one-year limited warranty.

Empire is committed to continuous product improvement; specifications are subject to change without notice. Dimensions in this brochure are approximate; read and follow the framing dimensions in the owners manual supplied with your Empire product.

Empire Comfort Systems has manufactured safe, reliable heating systems since 1932. We take pride in our reputation for quality products, backed by the best sales, service, and distribution network in this industry. These fireplaces combine proven technologies with exceptional artistry and craftsmanship to add beauty and warmth to any home.

Refer to your Owner's Manual for complete installation and safety information.



Includes wall-mounted LED light control and remote receiver modules

Authorized Dealer:

Member of the following industry associations:



This appliance is design-certified to the ANSI standard by:



SINCE 1932

918 Freeburg Avenue  
Belleville, IL 62220  
info@empirecomfort.com