



# DVCT30 & DVCT35 LINER KITS INSTALLATION INSTRUCTIONS



CERAMIC FIBER LINERS		
DVCT30	DVCT35	Description
DVP30CPMB-1	DVP35CPMB-1	Rustic Brick
DVP30CPWS-1	DVP35CPWS-1	Old World Stone

**LEAVE INSTRUCTIONS WITH THE HOMEOWNER.**

CARTON CONTENTS	
Description	Ceramic Fiber Liners
Rear Liner	1
Left Liner	1
Right Liner	1
Left Floor Liner	1
Right Floor Liner	1
Top Liner	1
Liner Bracket	1
#10 x 1/2 Screw	3

**TOOLS NEEDED:** Phillips Screwdriver

## INSTALL FLOOR LINERS

1. Remove barrier screen and glass door. (See the insert owner's manual for instructions).
2. Place the right and left floor liners as shown in Figure 1.

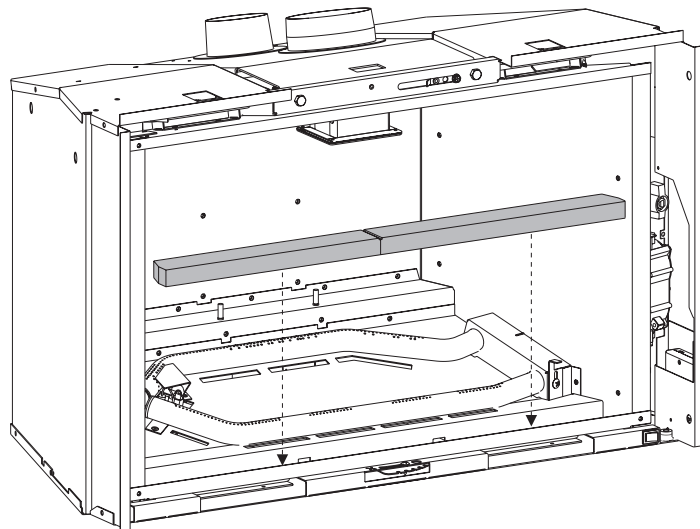


Figure 1

## INSTALL REAR LINER

1. Place rear liner on the back of the firebox and hold with one hand. See Figure 2.

**NOTICE:** For Rustic Brick Liner Install protruding bricks towards the top. For Old World Stone Liner Install thicker rocks towards the top.

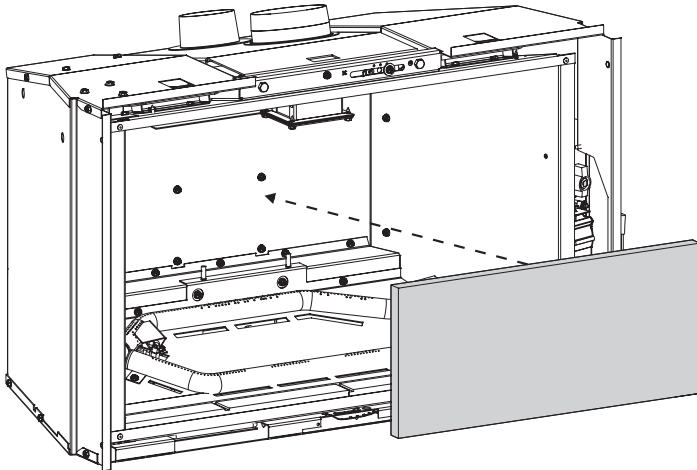


Figure 2

## INSTALL SIDE LINERS

1. Place right and left liners against right and left firebox wall, then push back to rear liner to hold into place. See Figure 3.

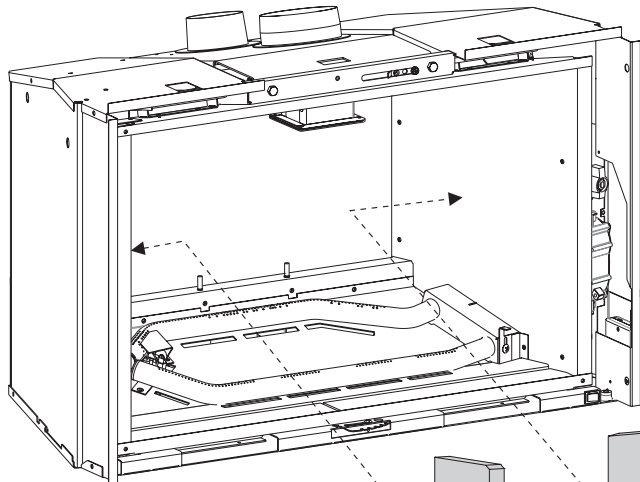


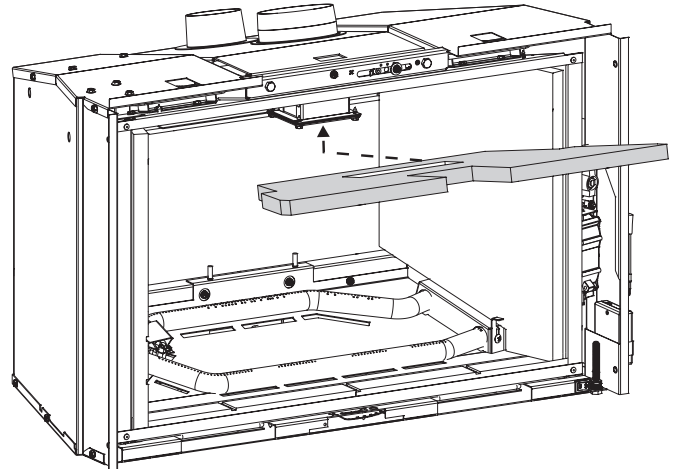
Figure 3

## INSTALL TOP LINERS & LINER BRACKETS

1. Place the top liner so the back edge rests atop the rear liner. secure liner bracket with (3) screws. See Steps 1 and 2 in Figure 4.

**NOTICE:** Painted side faces down. Black side faces up.

- STEP 1**  
HOLD TOP  
LINER IN PLACE



- STEP 2**  
INSTALL LINER  
BRACKET WITH  
3 SCREWS

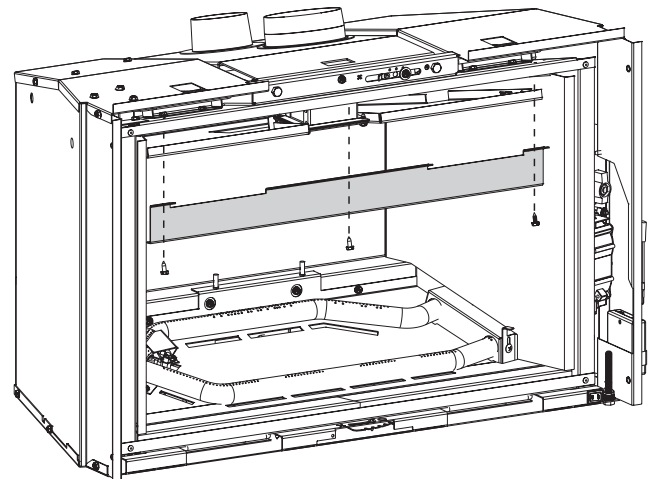
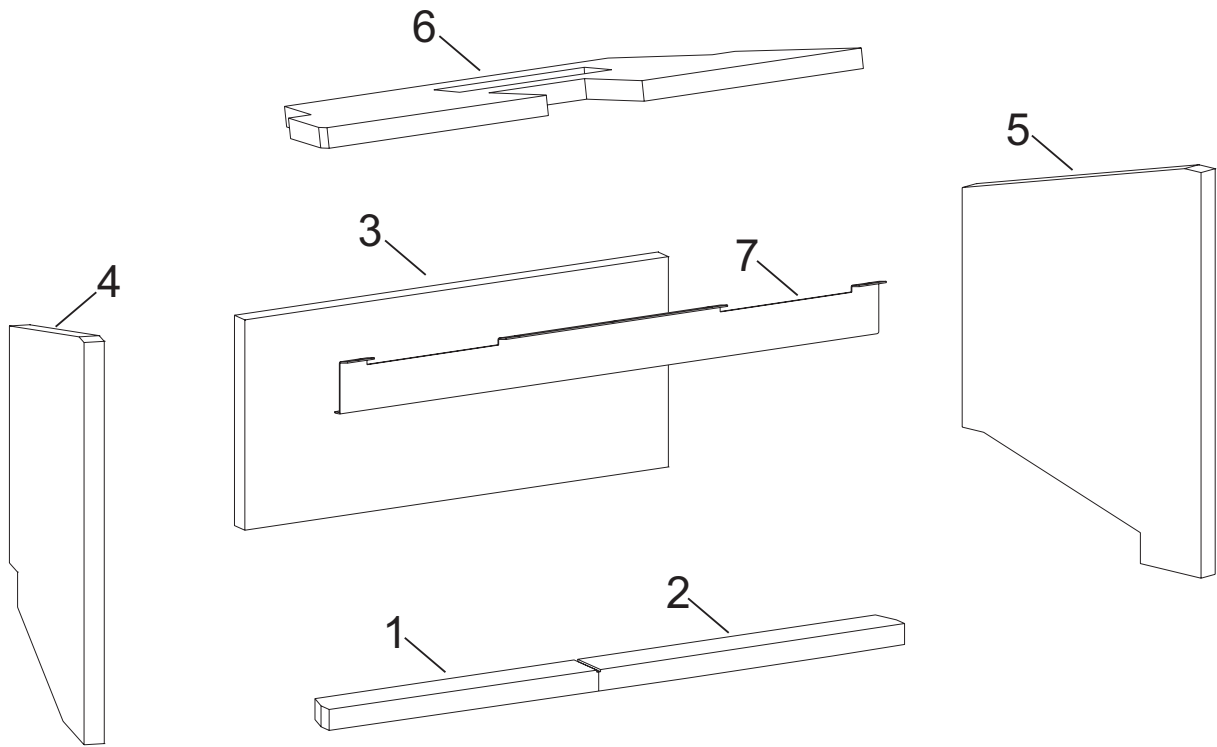


Figure 4

## CERAMIC FIBER LINER KIT EXPLODED VIEW AND PARTS LIST



INDEX NUMBER	PART NUMBERS				DESCRIPTION	QUANTITY SUPPLIED
	DVP30CPMB	DVP30CPWS	DVP35CPMB	DVP35CPWS		
1	Order Kit	Order Kit	Order Kit	Order Kit	Left Floor Liner	1
2	Order Kit	Order Kit	Order Kit	Order Kit	Right Floor Liner	1
3	Order Kit	Order Kit	Order Kit	Order Kit	Rear Liner	1
4	Order Kit	Order Kit	Order Kit	Order Kit	Left Liner	1
5	Order Kit	Order Kit	Order Kit	Order Kit	Right Liner	1
6	Order Kit	Order Kit	Order Kit	Order Kit	Top Liner	1
7	38025	38025	38486	38486	Liner Bracket	1
NS	R2737	R2737	R2737	R2737	Hex Head #10 x 1/2 Screw	3



SINCE 1932

[www.empirecomfort.com](http://www.empirecomfort.com)

**Empire Comfort Systems Inc.**  
**Belleville, IL**

If you have a general question  
about our products, please e-mail  
us at [info@empirecomfort.com](mailto:info@empirecomfort.com).

If you have a service or repair  
question, please contact your dealer.