



30-inch Loft Series burner with Clear Frost Decorative Glass shown in a 42-inch Breckenridge Deluxe Flush Face Firebox.

*Unconventional Styling*

*Contemporary Flair*

*Astonishing Good Looks*





# LOFT SERIES BURNERS

## *Unconventional Styling, Contemporary Flair, Astonishing Good Looks*

When a traditional fireplace would seem out of place, the Loft Series of contemporary burners complement the unique décor you worked so hard to achieve.

The Loft Series Burner installs in any certified vent-free firebox or wood-burning fireplace to help complete your artistic statement. It operates as a vent-free system for heating or can be installed in a vented fireplace to provide the ambiance of a fire but without the heat.

Available in LP and Natural Gas models in 18-inch (10,000 or 26,000 Btu), 24-inch (36,000 Btu), and 30-inch (40,000 Btu), there's a Loft Series Burner sized perfectly for your fireplace.

A unique 18-inch (10,000 Btu) Millivolt Loft burner provides heat and ambiance for bedroom fireplaces. Check your local codes for applicable restrictions.

Choose an on/off, remote-ready Millivolt system with a manual Piezo Ignition.

Or, opt for the Intermittent Pilot system with its thermostat remote control that varies flame height for up to 30-percent turndown. This unique system delivers just the right amount of heat to maintain a comfortable temperature. An override feature lets you operate the burner manually.

24-inch Loft Series Burner with Brushed Stainless Steel Decorative Top in an existing Fireplace.  
(Panels are concrete countertop material)







## SPECIALTY LOFT BURNERS

The 24-inch Multi-sided Loft Burner (36,000 Btu) is ideal for Peninsula and See-Through fireboxes. Like other Loft burners, the Multi-sided system can be tailored to your living space with decorative tops and glass. Optional liners, in brushed stainless steel and reflective black, fit Empire's 36-inch Peninsula and See-Through fireboxes.

# LOFT SERIES FIREPLACES

The unique Loft Series Fireplace includes a Loft burner in a compact system. This versatile unit installs as a zero-clearance vent-free fireplace or as an insert in an existing fireplace.

Rated at 20,000 Btu input for the VFL20 and 28,000 for the VFL28, the 99-percent efficient Loft Fireplace will quickly warm your living space - and grab your attention. A special 10,000 Btu model is also available for bedroom applications, where allowed by local codes.

Choose the Millivolt system and select one of seven control options - from a simple wall switch to a thermostat remote to the ultimate programmable remote. Or choose the Intermittent Pilot system, which includes a variable flame-height remote control with integral thermostat.

Finish your fireplace installation with one of Empire's two distinctive decorative fronts. The ultra-clean frameless tempered glass front features rounded and polished edges and a silk screened black border. With its minimally visible hardware, the glass pane "floats" in front of the fireplace.

For a more traditional look, choose the simple, elegant black metal frame with glass panel. This four-sided frame, with its 1 3/4-inch depth, provides the perfect transition to drywall, tile, or other material.

Installed as an insert, your Loft system will require the three-sided decorative surround. Like the four-sided frame, this surround measures 1 3/4-inch deep and makes a clean transition from an existing fireplace. To help conceal a large hearth opening, Empire also offers a 48 x 36-inch shroud, for use in conjunction with the decorative surround.

## *Loft Fireplace Accessories*

The Loft Fireplace interior and burner top are finished in rich gloss black to reflect the flames and create unique looks from every viewing angle. Add decorative glass - in Black Polished, Blue Clear, or Clear Frost - to conceal the burner and instantly change the character of your fireplace.

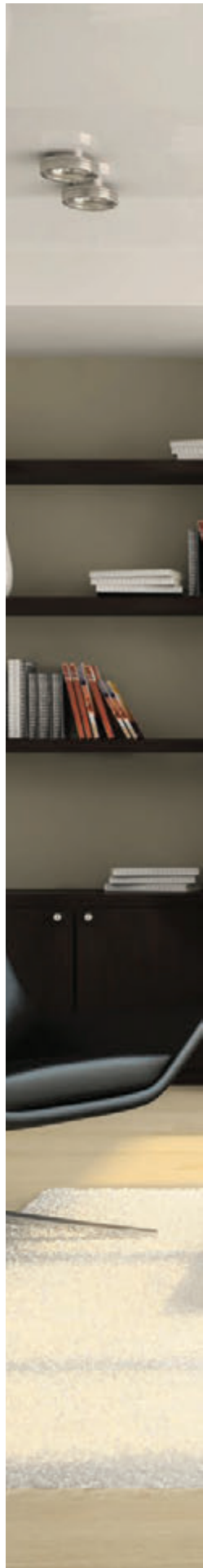
Enhance the heat distribution of your Loft Fireplace with the optional blower. The quiet air circulation system features variable speed control and automatic operation.



*28,000 Btu Loft Series Fireplace with Decorative Glass Front and Clear Frost Glass*



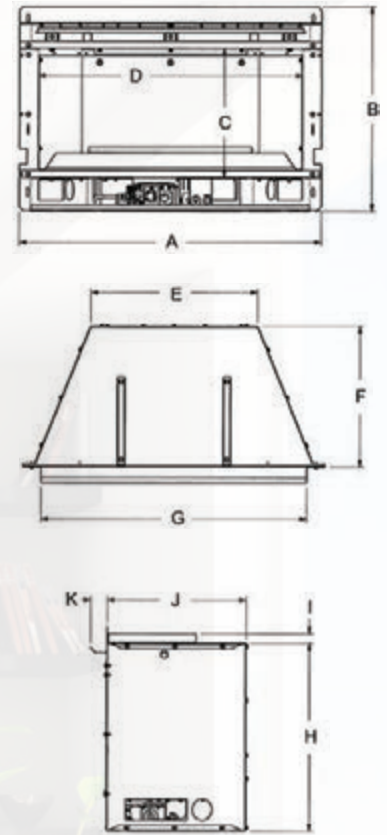
*20,000 Btu Loft Series Fireplace with Decorative Metal & Glass Frame and Blue Clear Glass*





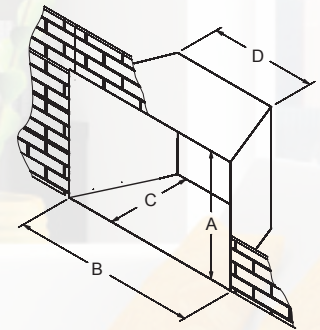
### Loft Series Vent-Free Fireplace Dimensions\*

|   | VFL20IN | VFL28IN  |
|---|---------|----------|
| A | 29 1/4  | 32 1/4   |
| B | 19 3/4  | 22 3/4   |
| C | 12 7/16 | 15 7/16  |
| D | 25 5/8  | 28 1/2   |
| E | 16 3/16 | 17 13/16 |
| F | 13 9/16 | 15       |
| G | 25 3/4  | 29 1/2   |
| H | 18 1/8  | 21 1/8   |
| I | 15/16   | 15/16    |
| J | 13 1/2  | 15       |
| K | 1 5/8   | 1 5/8    |



### Minimum Fireplace Opening Dimensions\*

|   | VFL20IN | VFL28IN |
|---|---------|---------|
| A | 19 1/4  | 22 1/4  |
| B | 26 3/4  | 30 3/4  |
| C | 12 3/4  | 14 1/4  |
| D | 15 3/4  | 19      |



\*All measurements in inches and are approximate. Read and follow the framing dimensions in the owners manual supplied with your Empire product.

### Proven Vent-Free Technology

At 99 percent efficient, your vent-free Loft Series Burner makes a great supplemental heat source for your home. Every Loft burner includes a built-in Oxygen Depletion Sensor that continuously monitors room air and shuts off gas to the system well before oxygen drops to an unsafe level. Vent-free technology has an unmatched record of providing safe, reliable heating for more than 40 years.

Zone heating with a vent-free system allows you to efficiently heat the rooms you use most and turn down the thermostat on your central furnace. This saves energy and money - up to 30 percent in a typical installation.



# DECORATIVE ACCESSORIES

24-inch Loft Series Burner



24-inch Loft Series Burner with Polished Black Decorative Top



24-inch Loft Series Burner with Stainless Steel Decorative Top



24-inch Loft Series Burner with Blue Clear Decorative Glass



24-inch Loft Series Burner with Medium Rocks and Accent Pebbles



24-inch Loft Series Burner with Polished Black Decorative Glass



Your Loft Series Burner arrives finished in lustrous matte black. Decorative accessory tops - available in polished black and brushed stainless steel - install in minutes to instantly change the look and character of your fireplace.

Empire also offers three styles of decorative glass to conceal the burner and create the illusion of flame floating above a reflective field. All of the glass starts as tempered panes that are shattered, screened for the proper particle size, and tumbled to minimize sharp edges.

The transparent Blue Clear glass captures and reflects the flickering light from the flames for a bright, airy feel.

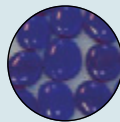
The opaque Black Polished glass features mirror-polished surfaces to reflect light and create a little dark mystery in your fireplace.

And our Clear Frost glass has non-reflective white surfaces that warmly glow in the light from the flames.

Additional decorative glass colors and finishes are available from Empire and through your fireplace dealer. For safety in handling and heat resistance, use only decorative glass products designed for use in fireplace applications.

The Loft Series Burners are ideal when installed in Empire's Deluxe Vent-Free Fireboxes - available in three sizes (32-inch, 36-inch, and 42-inch) in Matte Black (Flush or Louvered) or Stainless Steel (Flush only). To complement the new Loft Series Burner, an optional polished black or stainless steel liner - exclusive to the Deluxe Firebox - creates the perfect setting.

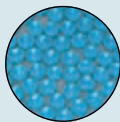
## Decorative Media



Topaz Clear Drops  
One-inch



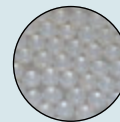
Onyx Solid Drops  
One-inch



Aqua Blue Droplets  
1/2-inch



Sangria Luster Droplets  
1/2-inch



Glacier Ice Droplets  
1/2-inch



Medium Rocks



Accent Pebbles



Blue Clear  
Crushed



Clear Frost  
Crushed



Black Polished  
Crushed



Bronze Reflective  
Crushed



Copper Reflective  
Crushed

*Loft Series Vent-Free Burners - Millivolt systems may be used for vented installations with flue damper blocked open*

| Model                                     | Description         | Btu Input | Minimum Firebox Dimensions in Inches |            |       |        |
|---|---------------------|-----------|--------------------------------------|------------|-------|--------|
|   |                     |           | Front Width                          | Rear Width | Depth | Height |
| Intermittent Pilot with Thermostat Remote |                     |           |                                      |            |       |        |
| VFIL18                                    | 18-inch Loft Burner | 26,000    | 28                                   | 21         | 13    | 17     |
| VFIL24                                    | 24-inch Loft Burner | 36,000    | 34                                   | 27         | 13    | 18     |
| VFIL30                                    | 30-inch Loft Burner | 40,000    | 40                                   | 33         | 13    | 20     |
| Millivolt (see control options)           |                     |           |                                      |            |       |        |
| VFRL18IO                                  | 18-inch Loft Burner | 10,000    | 28                                   | 21         | 13    | 17     |
| VFRL18                                    | 18-inch Loft Burner | 26,000    | 28                                   | 21         | 13    | 17     |
| VFRL24                                    | 24-inch Loft Burner | 36,000    | 34                                   | 27         | 13    | 18     |
| VFRL30                                    | 30-inch Loft Burner | 40,000    | 40                                   | 33         | 13    | 20     |

*Loft Series Multi-Sided Vent-Free Burners - Millivolt systems may be used for vented installations with flue damper blocked open*

| Model                                     | Description         | Btu Input | Minimum Firebox Dimensions in Inches |            |        |        |
|---|---------------------|-----------|--------------------------------------|------------|--------|--------|
|   |                     |           | Front Width                          | Rear Width | Depth  | Height |
| Intermittent Pilot with Thermostat Remote |                     |           |                                      |            |        |        |
| VFIU24                                    | 24-inch Loft Burner | 36,000    | 32                                   | 32         | 17 1/2 | 18     |
| Millivolt (see control options)           |                     |           |                                      |            |        |        |
| VFRU24                                    | 24-inch Loft Burner | 36,000    | 32                                   | 32         | 17 1/2 | 18     |

*Loft Series Vent-Free Fireplaces*

| Model                                     | Description                     | Btu Input |
|---|---------------------------------|-----------|
| Intermittent Pilot with Thermostat Remote |                                 |           |
| VFL20IN72                                 | Loft Small Vent-Free Fireplace  | 20,000    |
| VFL28IN72                                 | Loft Medium Vent-Free Fireplace | 28,000    |
| Millivolt (see control options)           |                                 |           |
| VFL20IN32IO                               | Loft Small Vent-Free Fireplace  | 10,000    |
| VFL20IN32                                 | Loft Small Vent-Free Fireplace  | 20,000    |
| VFL28IN32                                 | Loft Medium Vent-Free Fireplace | 28,000    |

*Decorative Fronts (Fits VFL20IN / VFL28IN)*

| Model                             | Description   |
|-----------------------------------|---|
| Required for In-Wall Installation |   |
| DF20GBL / DF28GBL                 | Tempered Glass, Black                                 |
| DF20MBL / DF28MBL                 | Metal Frame, Black                                    |
| Required for Insert Installation  |   |
| DF20LBL / DF28LBL                 | Louver, Glass, Frame (includes 6 x 6 Insert Surround) |

*Optional Decorative Media (for All Burner Sizes)\**

| Model  | Type                                      | Sq Ft |
|--------|---|-------|
| DGIAB  | Glass Droplets, 1/2-inch - Aqua Blue      | 1     |
| DGIGC  | Glass Droplets, 1/2-inch - Glacier Ice    | 1     |
| DGISL  | Glass Droplets, 1/2-inch - Sangria Luster | 1     |
| DGINXS | Glass Drops, 1-inch - Onyx Solid          | 1     |
| DGITZC | Glass Drops, 1-inch - Topaz Clear         | 1     |
| DGIBKP | Glass, Crushed, Black Polished            | 1     |
| DGIBUC | Glass, Crushed, Blue Clear                | 1     |
| DGICLF | Glass, Crushed, Clear Frost               | 1     |
| DGIBZR | Glass, Crushed, Bronze Reflective         | 1     |
| DGIBCR | Glass, Crushed, Copper Reflective         | 1     |
| DRIFMA | Rocks, Ceramic Fiber, Medium Assortment   | 1     |
| DRFPA  | Rocks, Ceramic Fiber, Pebble Assortment   | 1/2   |

\* See burner owner's manual for square footage to cover. May require additional media to cover firebox floor.

*Suggested Empire VF Deluxe Fireboxes & Liners*

| Model               | Firebox         | Loft Burner          | Stainless | Black     |
|---------------------|-----------------|----------------------|-----------|-----------|
| Standard Firebox    |                 |                      |           |           |
| VFD32FBO(F/L)       | 32-in           | VFIL18, VFRL18 (all) | VBP32SSS  | VBP32SKR  |
| VFD36FBO(F/L)       | 36-in           | VFIL24, VFRL24       | VBP36SSS  | VBP36SKR  |
| VFD42FBO(F/L)       | 42-in           | VFIL30, VFRL30       | VBP42SSS  | VBP42SKR  |
| Multi-Sided Firebox |                 |                      |           |           |
| VFP36PB2E(F/L)      | 36-in Peninsula | VFU24, VFIU24        | VBPB36TSS | VBPB36TKR |
| VFP36SB2E(F/L)      | 36-in See-Thru  | VFU24, VFIU24        | VBSB36TSS | VBSB36TKR |

*Control Options*

| Model | Control Options for Millivolt & IP Models       |
|-------|---|
| FRBC  | Battery Operated Remote Control                 |
| FRBTC | Battery Operated Remote Control with Thermostat |
| FRBTP | Remote Control, Programmable, Battery Operated  |
| FREC  | Electric Remote                                 |
| FWSI  | Wall Switch                                     |
| TWV   | Wall Thermostat - Reed Switch                   |
| TRW   | Wall Thermostat - Wireless Remote               |

*Optional Decorative Tops*

| Burner Size         | Brushed Stainless Steel | Black Reflective |
|---------------------|-------------------------|------------------|
| 18-inch             | DT18SS                  | DT18PB           |
| 24-inch             | DT24SS                  | DT24PB           |
| 30-inch             | DT30SS                  | DT30PB           |
| 24-inch Multi-Sided | DTU24SS                 | DTU24PB          |

Vent-Free appliances may be installed in an aftermarket (mobile) home where not prohibited by state or local codes. The approval (G1-0504-90B) has been granted subject to the installation in compliance with CMR 248, 527 CMR 30, Massachusetts State Plumbing Code and/or the Massachusetts Fuel Gas Code.

Empire is committed to continuous product improvement; specifications are subject to change without notice. Dimensions in this brochure are approximate; read and follow the framing dimensions in the owners manual supplied with your Empire product. Specifications are subject to change without notice. Flame size, shape, and color will vary from photos.

### Warranty

All Vent-Free products carry a 5-year limited warranty with a 5-year limited labor warranty. Remote controls carry a 1-year limited warranty.

Member of the following industry associations:



This appliance is design-certified to the ANSI standard by:



SINCE 1932

Empire Comfort Systems  
918 Freeburg Ave. Belleville, IL 62220-2623  
info@empirecomfort.com

ECS-00864 5/01/18

The Empire Comfort Systems names and logos are registered U.S. trademarks

[www.empirecomfort.com](http://www.empirecomfort.com)