

INSTALLATION INSTRUCTIONS OPTIONAL TRIM KIT

BLACK	STAINLESS STEEL	HAMMERED PEWTER
VPF24BL-1	VPF24SS-1	VPF24HP-1

INSTRUCTIONS MUST BE LEFT WITH THE OWNER FOR FUTURE REFERENCE AFTER INSTALLATION.

⚠ CAUTION

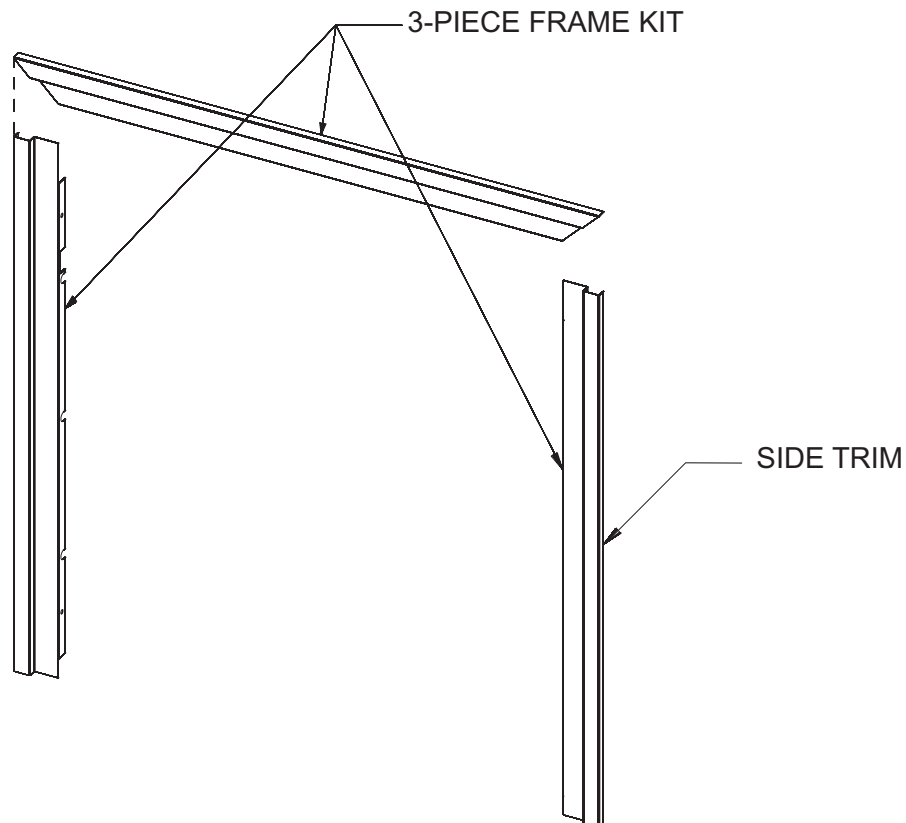
Use caution when handling parts, as they may contain sharp edges. Work gloves are recommended to prevent injury.

Attention: Remove protective film (Stainless Steel parts) from frame parts before installation.

ATTENTION: If installed, the standard 3-piece frame kit must be removed from fireplace before installation of optional trim kit.

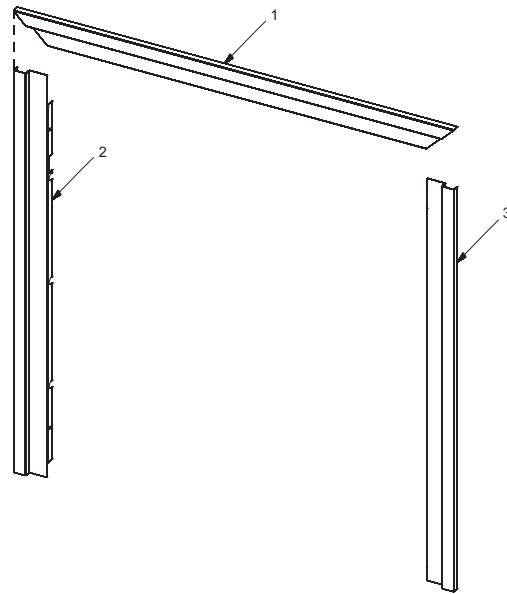
INSTALLING TRIM KIT

1. Lower bottom louver.
2. Remove screen from fireplace.
3. Remove top louver from fireplace [two (2) Phillips screws].
4. If installed, remove black trim [six (6) Phillips screws].
5. Attach right and left trim to fireplace. Use two (2) Phillips screws for each side.
6. Attach trim top to fireplace with two (2) Phillips screws.
7. Reattach top louver to fireplace using two (2) Phillips screws.
8. Reattach screen to fireplace.
9. Raise bottom louver.



PARTS LIST FOR OPTIONAL TRIM KITS

INDEX NO.	PART NO.	DESCRIPTION
VPF24SS Stainless Steel Trim Kit		
1	20227	Trim Top
2	20228	Trim Left
3	20229	Trim Right
VPF24HP Hammered Pewter Trim Kit		
1	20224	Trim Top
2	20225	Trim Left
3	20226	Trim Right
VPF24BL Black Trim Kit		
1	20217	Trim Top
2	20215	Trim Left
3	20216	Trim Right



ATTENTION: When ordering parts, it is very important that the part number and description coincide.

HOW TO ORDER REPAIR PARTS

Parts can be ordered only through your service person or dealer. For best results, the service person or dealer should order parts through the distributor. Parts can be shipped directly to the service person/dealer.

All parts listed in the Parts List have a Part Number. When ordering parts, first obtain the Model Number from the name plate on your equipment. Then determine the Part Number (not the Index Number) and the Description of each part from the following appropriate illustration and list. Be sure to give all this information . . .

Fireplace Number _____ Part Description _____

Fireplace Serial Number _____ Part Number _____

Type of Gas (Propane or Natural) _____

Do not order bolts, screws, washers or nuts. They are standard hardware items and can be purchased at any local hardware store.

Shipments contingent upon strikes, fires and all causes beyond our control.