

DVP(36,48)LPZ-1 RIDGEBACK LINER KIT FOR USE ON: DVLL(36,48)BP SERIES FIREPLACES ONLY

INSTRUCTIONS MUST BE LEFT WITH THE OWNER FOR FUTURE REFERENCE AFTER INSTALLATION.

CARTON CONTENTS:

- Liner Panel
- Screw Package
- Side Retainer Brackets (Qty. 2)

TOOLS NEEDED:

- Gloves
- Eye Protection
- 5/16" Hex Driver

9. Use a 5/16" Nut Driver to install the two Side Retainer Brackets at the front left and right side openings of the firebox with (2) # 10 x 1/2" screws each. Use the screws removed in step 5 to attach the brackets. These brackets must be installed so the angle break is facing rearward. **See Figures 1 and 2.**

STANDARD LINER REMOVAL

⚠ CAUTION

Sharp edges! Do not install liner without gloves.

1. Refer to the fireplace installation manual for removal of the Barrier and Glass Door assemblies prior to removal of the standard liner, and installation of the new liner option.
2. Using a 5/16" Hex drive, remove the screw at the top rear corner of the Right and Left Standard Liner Panels. Pull forward on the side liners to remove. If any insulation adheres to the firebox side walls, gently remove using gloves and discard.
3. Remove the two screws located at the top of the rear liner panel and remove the panel. **IMPORTANT** Reinstall these two screws into the rear wall of the firebox to seal up holes. If any insulation adheres to the firebox rear wall, gently remove the insulation and discard.
4. The side and rear liners may be discarded if being replaced with the Ridgeback liner kit.
5. Remove the (2) # 10 x 1/2" screws from each of the front side liner brackets and remove the brackets. Retain the screws for installation of the new side liner brackets included with the Ridgeback Liner kit.

INSTALLATION

6. The hearth and burner cover must be clear of decorative media.
7. Carefully unpack the liner, verify that all components are included, and inspect for hidden damage, prior to installation.
8. Remove the front Glass Retainer (hearth ledge) by lifting it up and out, then set it aside.

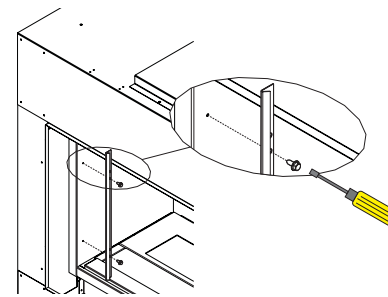


Figure 1

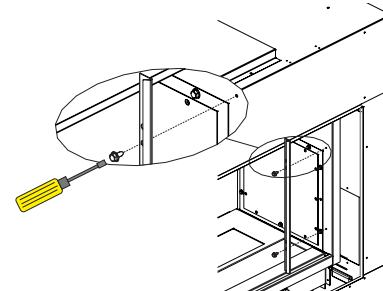


Figure 2

⚠ CAUTION

When installing the liner, use extreme care to protect the pilot assembly and igniter probes! See Figure 3.

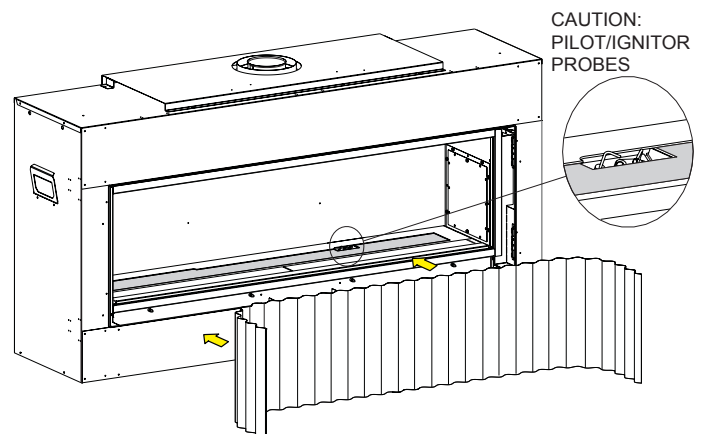


Figure 3

10. To install the liner panel, it works best if the right side is placed into the firebox first. **See Figure 4.** When installing the liner, some gentle twisting of the liner will be required. The liner will need to be pushed back into the corners of the firebox just enough to engage the right front edge of the liner into the right side retainer bracket. **See Figure 4.**

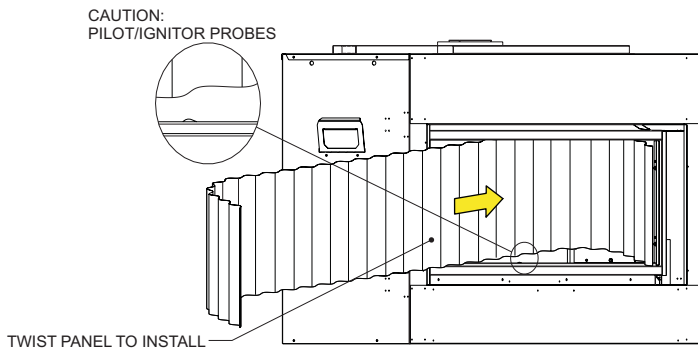


Figure 4

11. Once the right end of the liner is locked into the right side bracket, continue to work in the left side of the liner until the complete liner is setting inside the fireplace. **See Figure 5.**

12. To complete the liner installation, push the left side of the liner towards the left rear corner of the fireplace. Push inward just enough to engage the left end of the liner into the left side liner bracket. **See Figure 5.** The liner edges are held in place by the side brackets. The forward pressure of the liner keeps the liner in place, due to the radius rear corners on the liner. **See Figure 5 inset.**

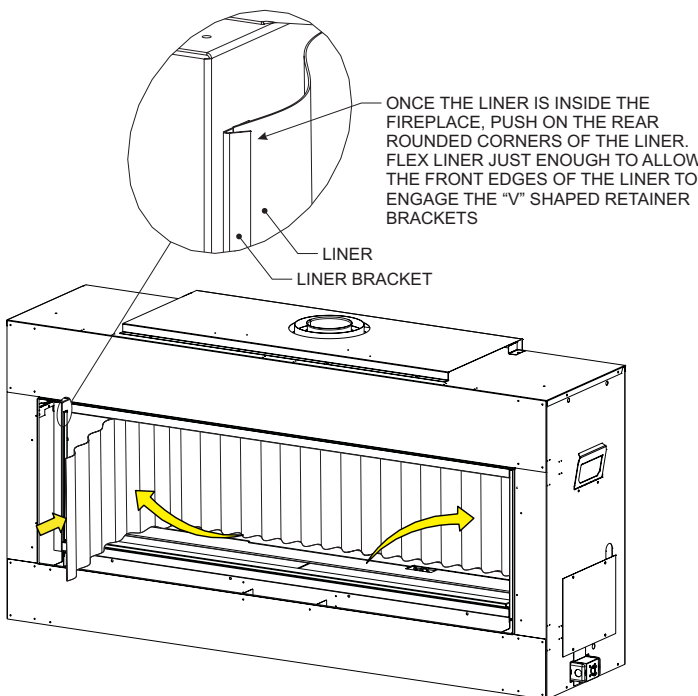


Figure 5

13. Once both ends of the liner have been securely positioned and retained, check to see that the liner is centered left to right. This can be done visually by check the distance the radius corners are positioned in relation to the rear corners of the burner screen. **See Figure 6.**

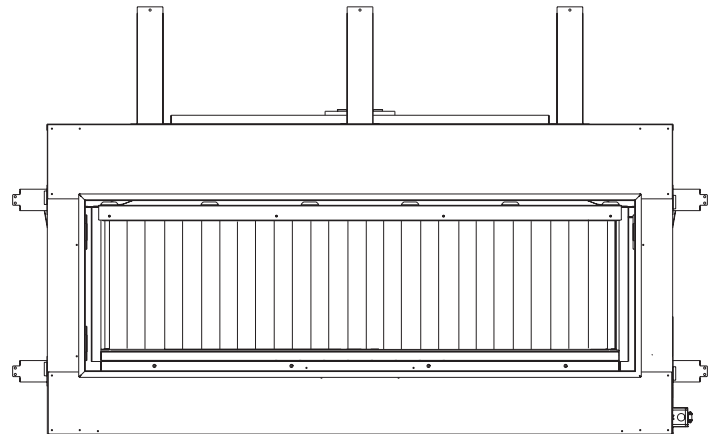
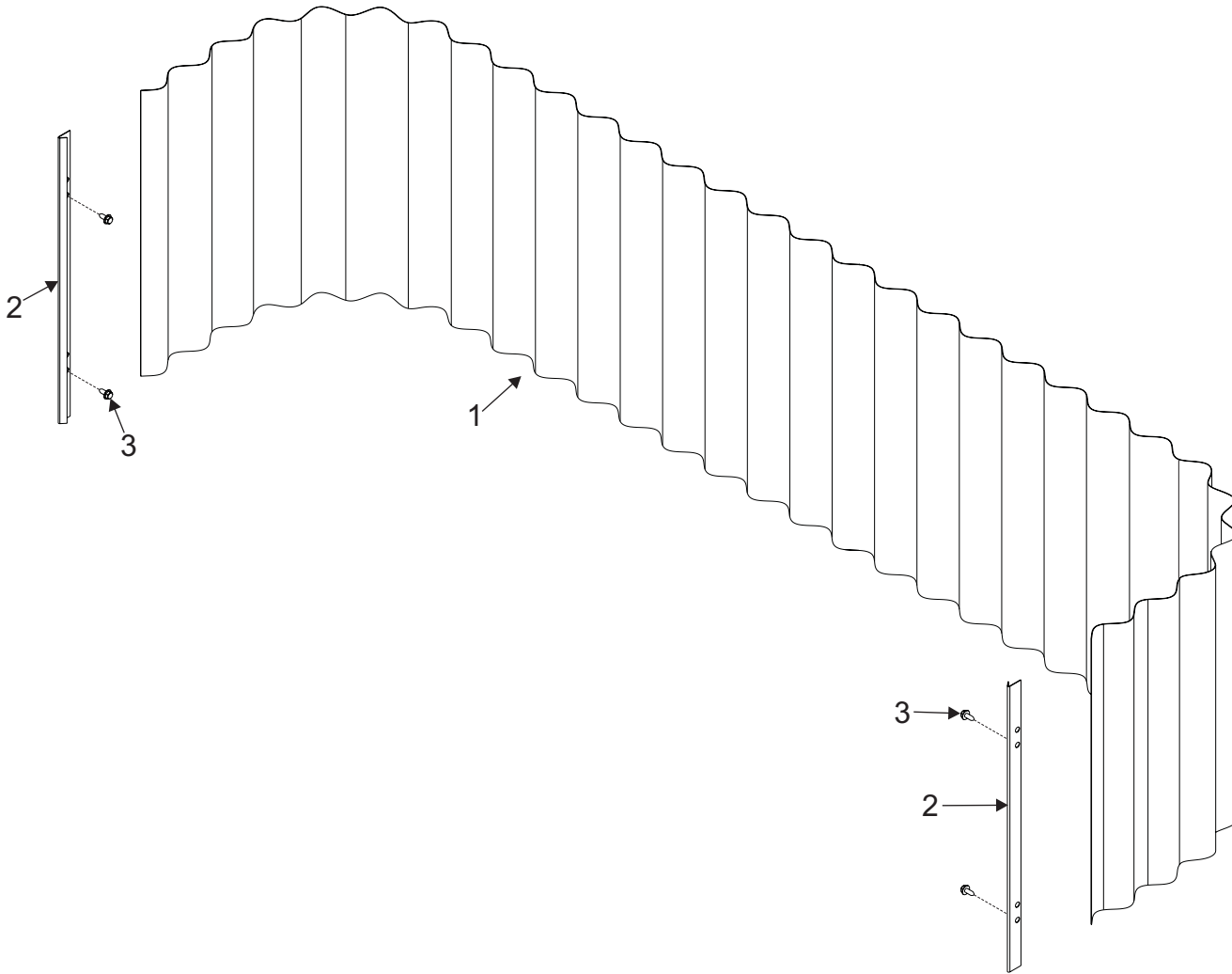


Figure 6

- 14. Replace the Glass Retainer.
- 15. Add decorative media as desired.
- 16. Replace Glass Door and Barrier assemblies.
- 17. Installation is complete.



LINER KIT PARTS LIST				
Index Number	MODELS		Description	Quantity Supplied
	DVP36LPZ	DVP48LPZ		
	Part Number	Part Number		
1	40529	37104	Ridgeback Liner, Bronze	1
2	36460	36460	Bracket, Front Liner	2
3	R2737	R2737	Screw, #10 x 1/2	4

Boulevard
DIRECT-VENT LINEAR FIREPLACES

**Empire Comfort Systems Inc.
Belleville, IL**

If you have a general question
about our products, please e-mail
us at info@empirecomfort.com.

If you have a service or repair
question, please contact your dealer.

www.empirecomfort.com