

# DECORATIVE FIREPLACE FRAME INSTALLATION INSTRUCTIONS

**FOR USE ON MODELS: DVCT(30,35,36,40,50) SERIES ONLY**

**INSTRUCTIONS MUST BE LEFT WITH THE OWNER FOR FUTURE REFERENCE AFTER INSTALLATION.**

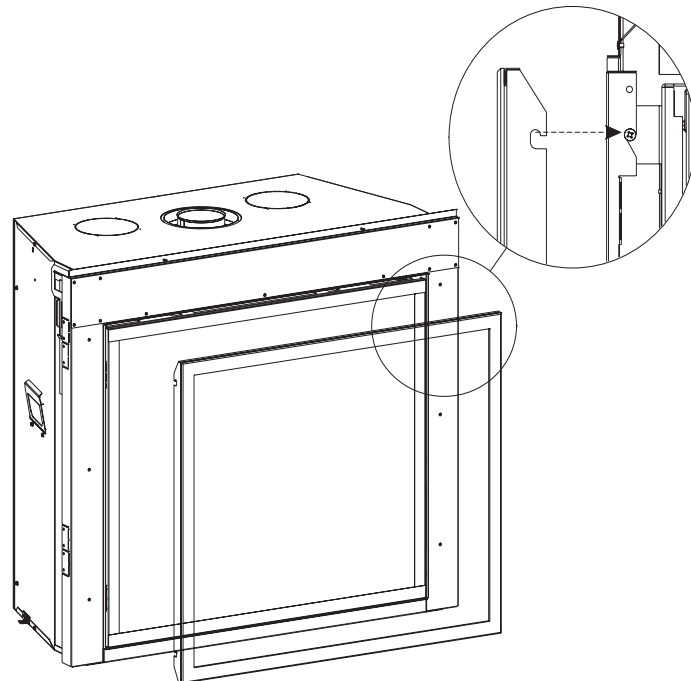
DECORATIVE FRAME MODELS				
DVCT30	DVCT35	DVCT36	DVCT40	DVCT50
DFF30FPD	DFF35FPD	DF362CNB	DF402NB	DFF50FPD
DF302BNB	DF352BNB	DFF36FPD	DFF40FPD	DF502NB
DF302BZT	DF352BZT	DF362BZT	DF402BZT	DF502BZT
DF302BLX	DF352BLX	DF362BLX	DF402BLX	DF502BLX
DF30BL	DFF35BL	DFF36BL	DFF40BL	DF50BL
DFF30FBZT	DFF35FBZT	DFF36BZT	DFF40BZT	DFF50BZT

## CLEANING

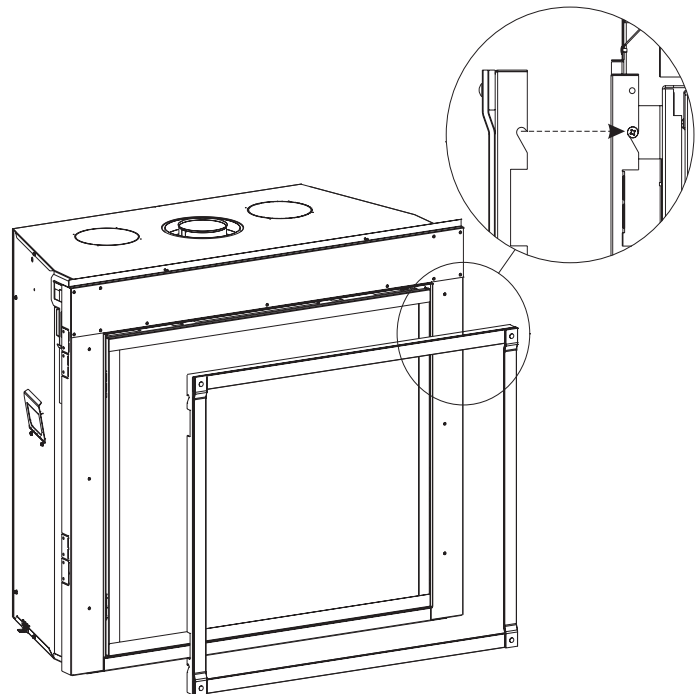
With the unit turned off and cool to the touch, use a 50/50 solution of vinegar and water and a clean soft cloth to remove dirt and fingerprints. Clean frame before and after start-up and again anytime oil or fingerprints are present. When heated, oil from fingerprints or left over from manufacturing can permanently discolor the plating.

## INSTALLATION

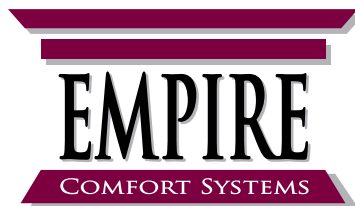
Slide the decorative front onto the glass frame over the barrier screen so the notches hang on the four screws.



DF402NB SHOWN  
Beveled Frame - Nickel Plated



DFF40FPD SHOWN  
Forged Iron Frame



**Empire Comfort Systems Inc.  
Belleville, IL**

If you have a general question  
about our products, please e-mail  
us at [info@empirecomfort.com](mailto:info@empirecomfort.com).

If you have a service or repair  
question, please contact your dealer.

SINCE 1932

**[www.empirecomfort.com](http://www.empirecomfort.com)**