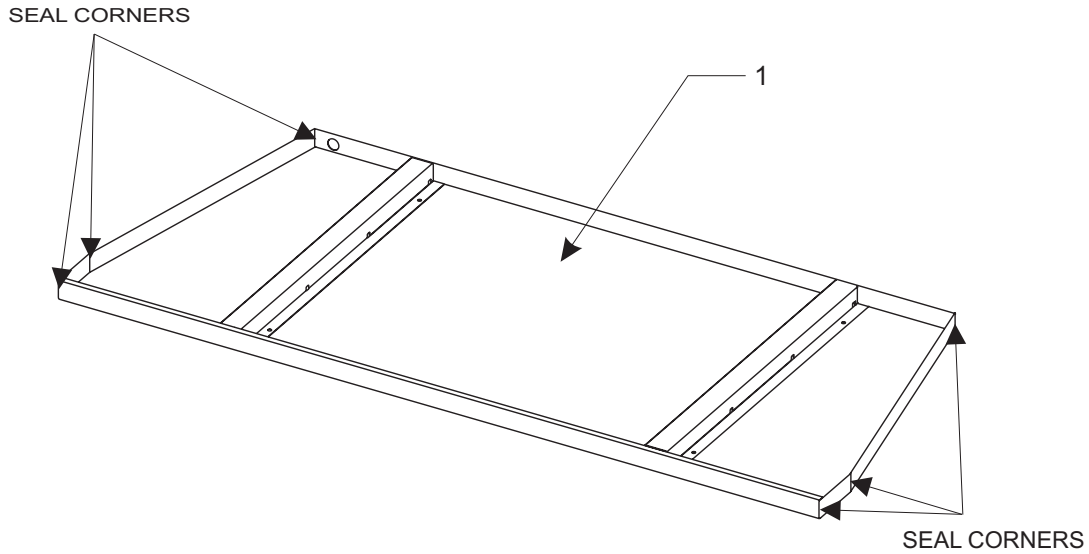


DT32SS-1, DT36SS-1 & DT42SS-1 DRAIN TRAY KIT INSTALLATION INSTRUCTIONS

INSTRUCTIONS MUST BE LEFT WITH OWNER FOR FUTURE REFERENCE AFTER INSTALLATION.

1. Install drain elbow to drain tray (installer supplied).
2. Place drain tray in final fireplace installation location. Note: Be sure to add 1" to framing height when using drain tray.
3. Using silicone, seal corners and around drain elbow. See Figure 1.
4. Place fireplace on top of drain tray.



INDEX NUMBER	MODEL NUMBER			DESCRIPTION
	DT32SS	DT36SS	DT42SS	
1	29359	28552	28553	DRAIN PAN ASSEMBLY

Figure 1