



LOFT SERIES

36 & 46-inch Linear Direct-Vent Fireplaces

Loft Direct-Vent 46-inch Fireplace with Black Porcelain Liner, and Clear Frost Crushed Glass





SOPHISTICATED CONVENIENCE

Your Loft fireplace will create an inviting environment while adding warmth to your home.

The Loft adds a modern, linear style at an exceptional value to any home or office. The contemporary design is highlighted by a long, flickering flame rising through a bed of crushed glass media.

The Loft fireplace is available in 36" & 46" models to fit a variety of spaces and applications. The simple millivolt or remote controlled electronic ignition models allow you to take the customization one step further. Choose the Loft that really suits you best.

Personalize the fireplace for any space by selecting from a variety of media options.

SHOWN ON COVER: Loft 46-inch Linear Direct-Vent Fireplace with Black Porcelain Liner, Clear Frost Crushed Glass, and Optional Light Kit

SHOWN ABOVE: Loft 36-inch Linear Direct-Vent Fireplace with Black Porcelain Liner, Clear Frost Crushed, Logs, Rocks, and Coils, and Optional Light Kit

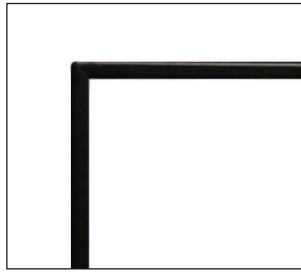
OPTIONS & ACCESSORIES

LINERS



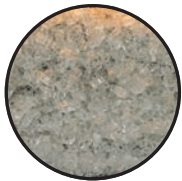
Reflective Black Porcelain

TRIM KITS



3/4-inch Trim in Matte Black

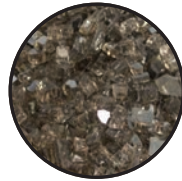
DECORATIVE MEDIA



Clear Frost Crushed
(Included)



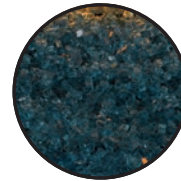
Copper Reflective
Crushed



Bronze Reflective
Crushed



Black Polished Crushed



Blue Clear Crushed

LOG SETS



Driftwood Fiber Log Set



Rustic Contemporary Fiber Log Set with Rocks

FRAMING DIMENSIONS

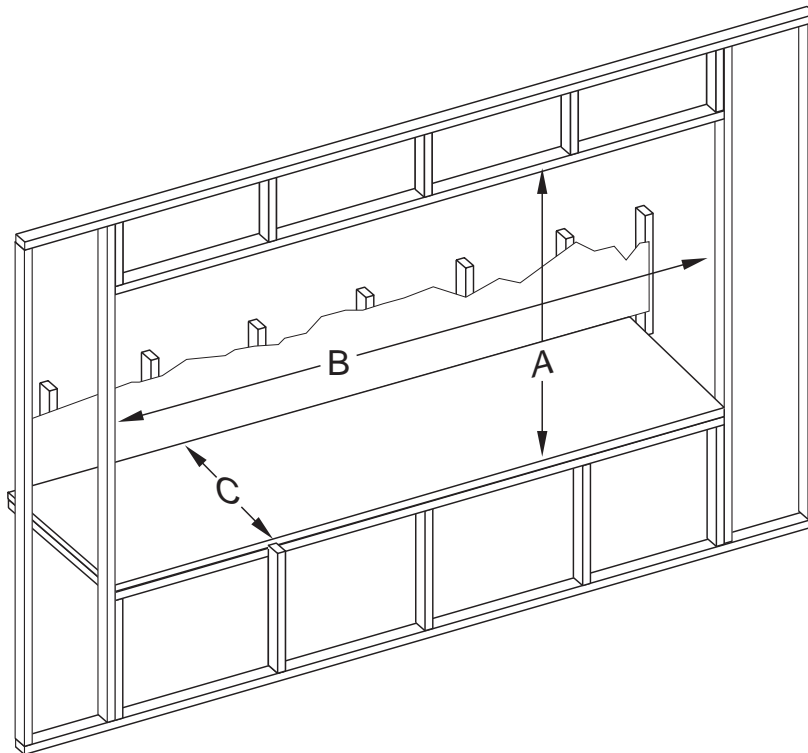
	DVL36BP	DVL46BP
A	34 1/4	33
B	48 1/4	58 1/4
C	15 1/2	15 1/2

Measurements given in inches.

*Dimensions may vary based on install. See manual.

BTUS BY MODEL

	DVL36BP	DVL46BP
Natural Gas	25,000	30,000
Propane	25,000	31,000



WARRANTY: 10-year Limited Warranty on Combustion Chamber, Limited Lifetime on Glass. All other parts carry a three-year limited warranty. All remote controls and lighting systems carry a one-year limited warranty.

Empire is committed to continuous product improvement; specifications are subject to change without notice. Dimensions in this brochure are approximate; read and follow the framing dimensions in the owners manual supplied with your Empire product.



SINCE 1932

Empire Comfort Systems Inc.
918 Freeburg Ave.
Belleville, IL 62220-2623
info@empirecomfort.com

WMH-01066 3/08/19

The Empire Comfort Systems and White Mountain Hearth names and logos are registered U.S. trademarks.

Member of the following industry associations:



This appliance is design-certified to the ANSI standard by: